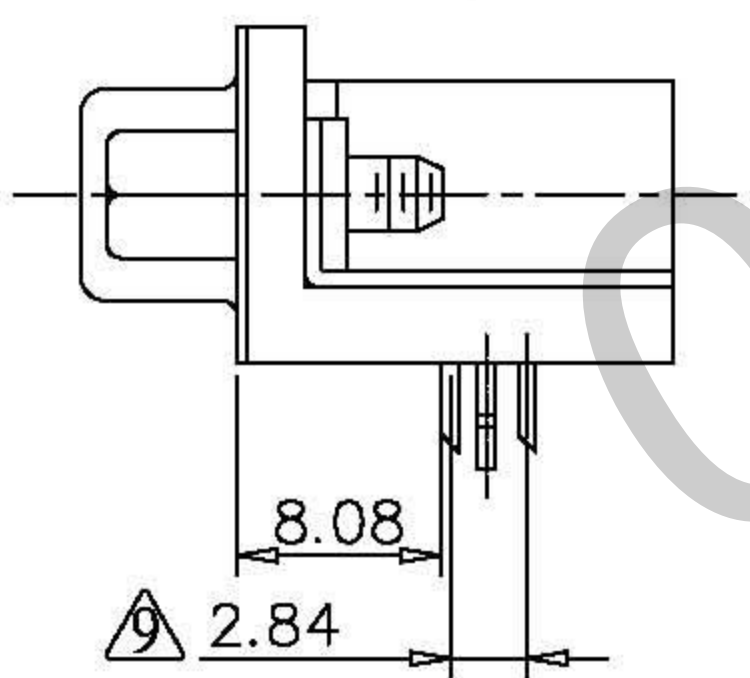
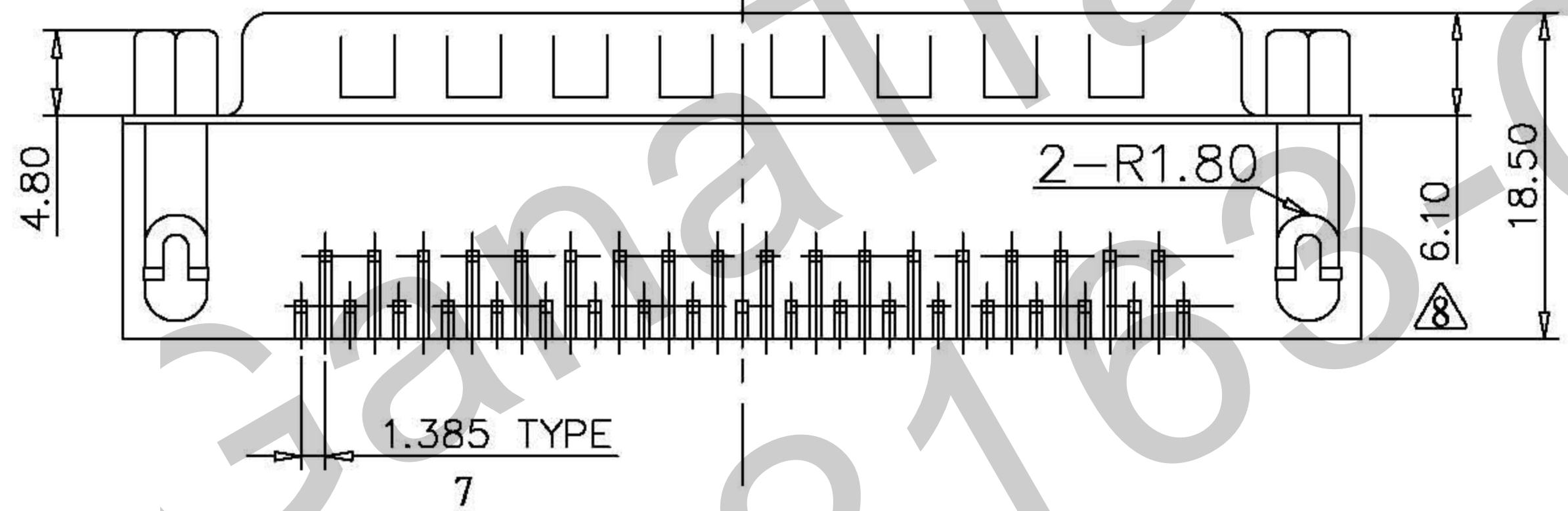


RECOMMENDED PC BOARD LAYOUT  
 APPLICATIONS: PC BOARD THICKNESS=1.60mm

MATERIAL:  
 INSULATOR:PBT+30% GLASS FIBER(UL94V-0).  
 CONTACT: BRONZE  
 CONTACTPLATED:GOLD OVER NICKEL OR TIN  
 SHELL:STEEL,nickel  
 SPECIFICATION:  
 CURRENT RATE:5 AMPS  
 INSULATOR RESISTANCE:1000M MIN.AT 500V DC  
 DIELECTRIC STRENGTH:1000V PER  
 OPERATION TEMPERATURE:-55C TO+105C  
 IMPEDANCE:16M FOR 25MHz  
 NOTICE: THE DIMENSION MADE WITH "△"  
 MUST BE CONTROLLED BY QC.



POS.	A	B	C
9	30.80	24.99	16.90
15	39.2	33.32	25.30
25	53.10	47.04	39.00
37	70.00	63.50	55.40

UNLESS TOLERANCE	
GENERAL	ANGLE
X. ± 0.30	X.' ± 3'
.X ± 0.20	.X' ± 2'
.XX ± 0.15	.XX' ± 1'
.XXX ± 0.05	.XXX' ± 0.5'

DRAW BY:	Tony	2008.08.07
DESIGN BY:	Tony	2008.08.07
CHECK BY:		
APPROVE BY:		
SCALE	SHEET	UNIT
1:1	1/1	mm

PAPT NO:	DRXXM0010
ITEM :	
DRW NO:	WTZ0052
REV:	1.1

A

B

A

2

3

4

5