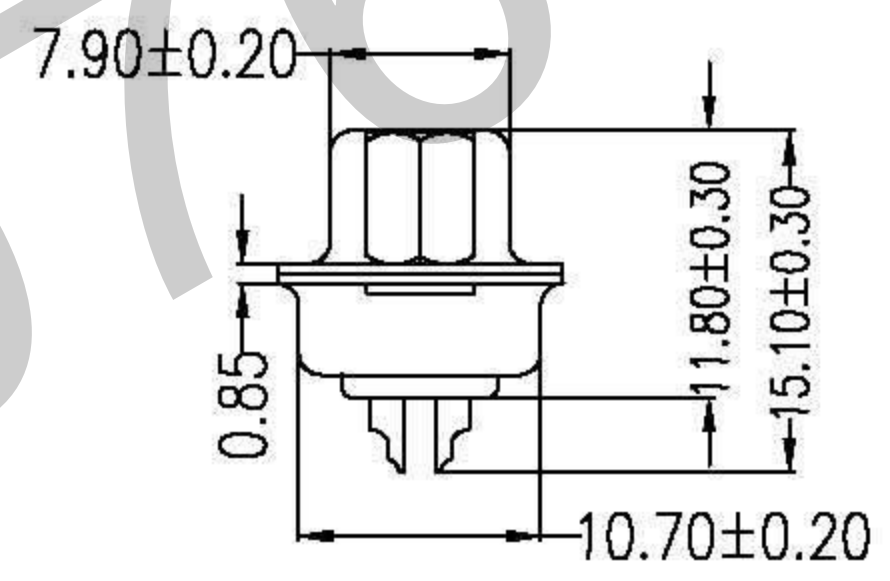
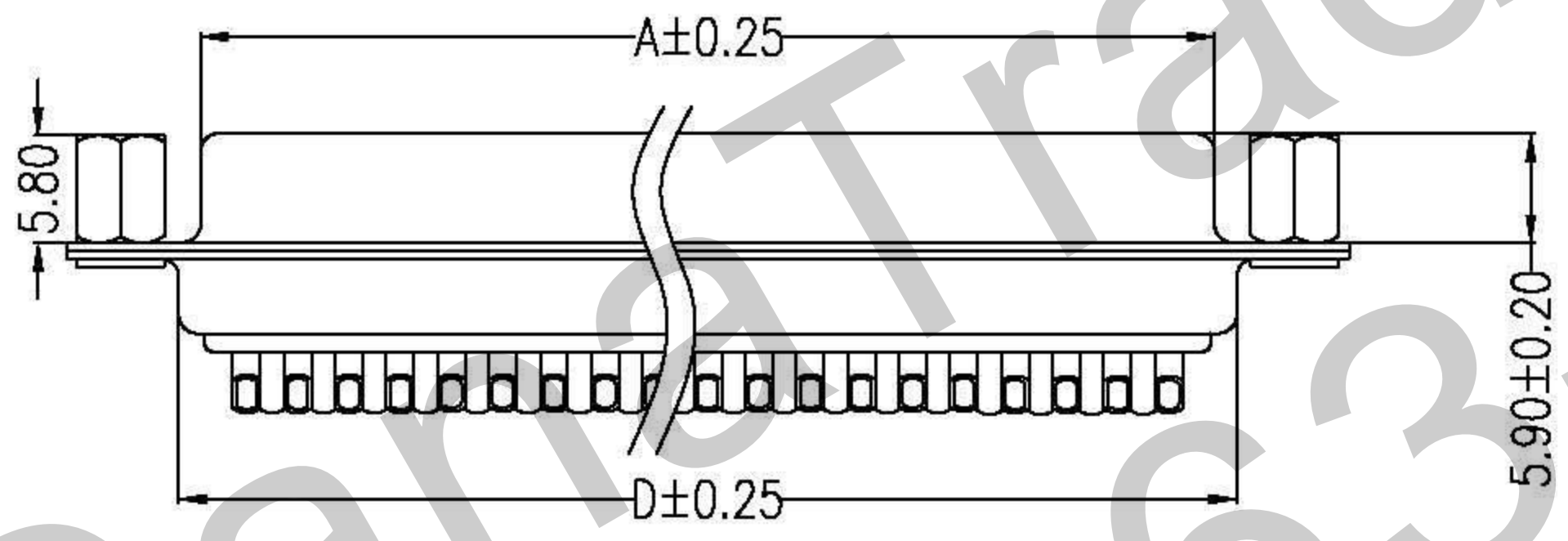
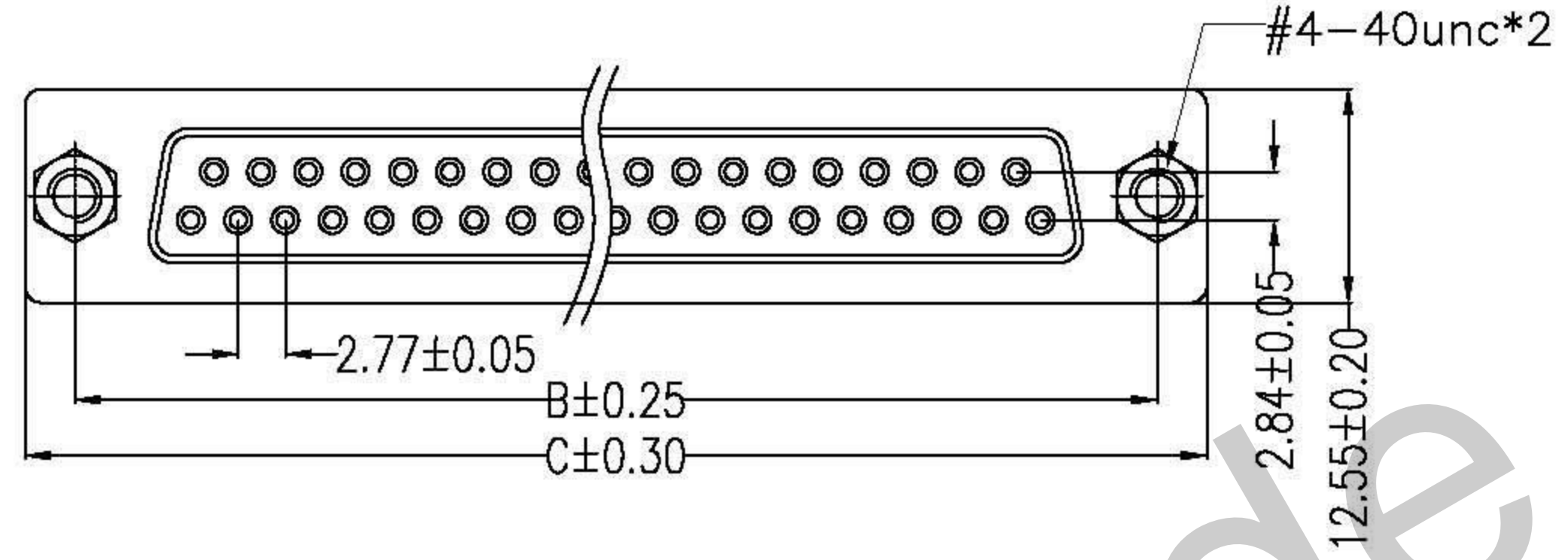


PIN	A	B	C	D
9	16.30	24.99	30.80	19.30
15	24.60	33.30	39.20	27.60
25	38.30	47.04	53.10	41.10
37	54.80	63.50	69.34	57.30



- 一、 MATERIAL:
1. Insulator: PBT+30%Glass Fiber (UL94V-0)
 2. Contact: Brass
 3. Contact Plated: Gold Flash over Tin Or Gold Plated Or Tin Plated
 4. Shell: Steel, Nickel Plated
- 二、 SPECIFICATION:
1. Current Rating: 5 AMPS
 2. Insulation Resistance: $5000\text{M}\Omega$ MIN. At 500VDC
 3. Dielectric Strength: 500V for One minute
 4. Operation Temperature: $-55^{\circ}\text{C} \sim +105^{\circ}\text{C}$.

Tolerance	Drawn by	
Dimensions	Designed by	
X. ± 0.38	Approved by	
X.X ± 0.35	DWG NO. CP-024	Scale 1:1
X.XX ± 0.25	Sheet 1 of 1	Unit mm
X.XXX ± 0.15	REV A0	
Angle		
X. $\pm 2^{\circ}$		
X.X $\pm 1.0^{\circ}$		
X.XX $\pm 0.5^{\circ}$		

HDC 有限公司

Title: **DB 母头焊线式前铆实心螺母**

Part No: WT-DB09F0220S