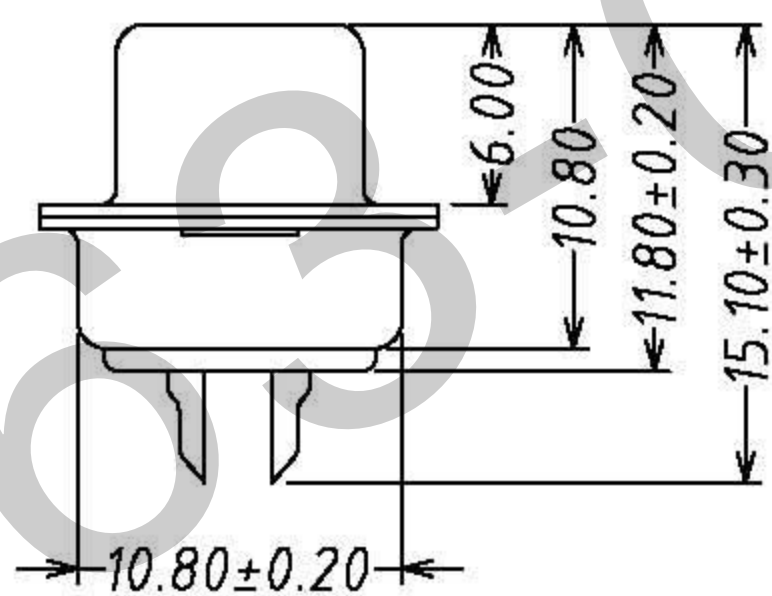
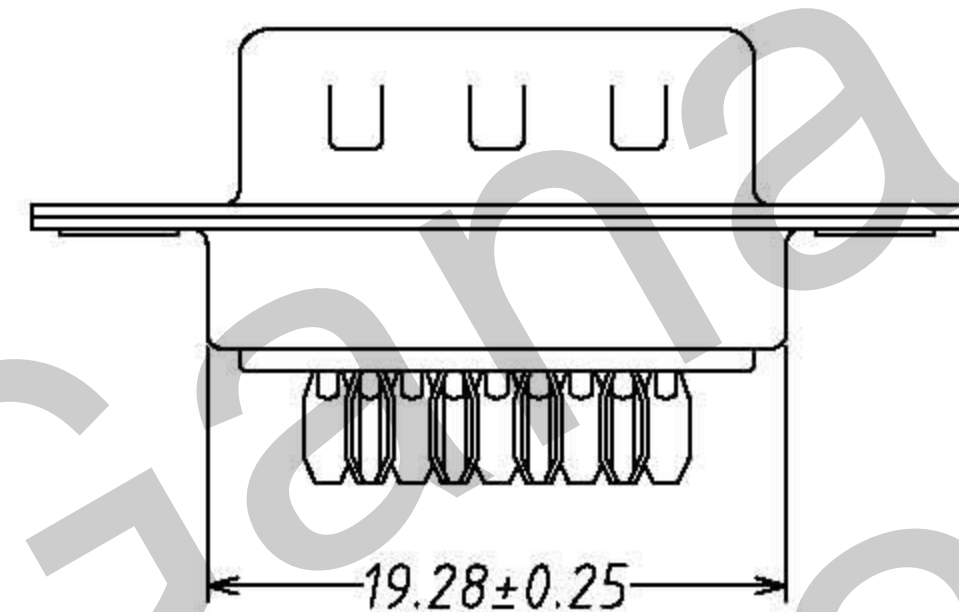


SPECIFICATIONS:
ELECTRICAL SPECIFICATION
 Contact Current Rating: 3 Amperes
 Dielectric Withstanding Voltage:
 AC 1000/60ses.r.m.s.
 Insulation Resistance:
 5000 Megohms MINIMUM at DC 500V
 Contact Resistance:25 MilliOhms Maximum
 Operating Tempetature:-55°c _ +105°c
MECHANICAL CHATACTERISTICS:
 Contact Insertion Force: 300gfMax
 Contact Separation Force;25gf Min
MATERIALS:
 Contacts:Brass
 Insulator:PBT+30%(UL94V-0)
 Shell:Steel



HDC 有限公司

制圖Draw:	品名Title:	頁次Sheet :	公差Tolerance :	單位Unit :	三角投影法:
	D-SUB SOLDER 9P MALE 鉚合	1 Of 1	.0±0.20 ANG :	MM	
	核對Checkde:	料號Part No:	圖紙Size :	比例Scale :	
核準Approved:		A 4	.00±0.10 .00±2° .000±0.05	2.5 : 1	04-10-12