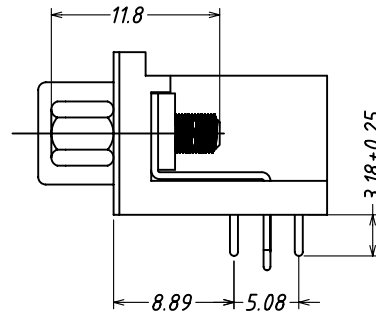
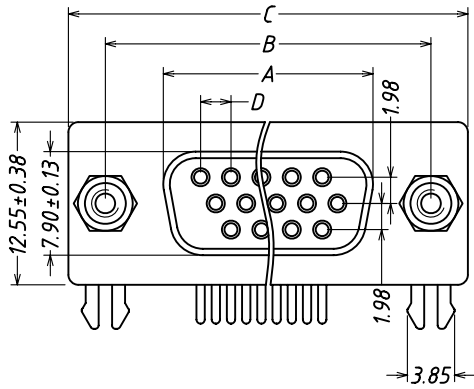
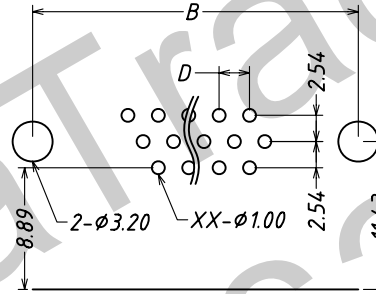
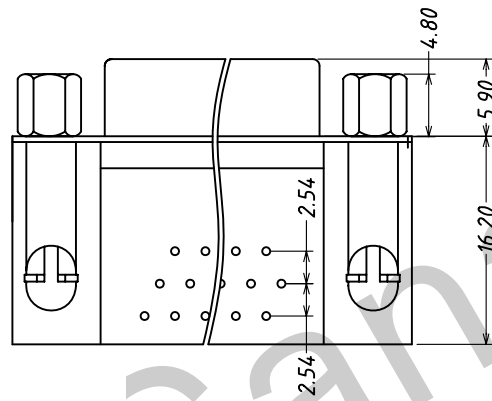
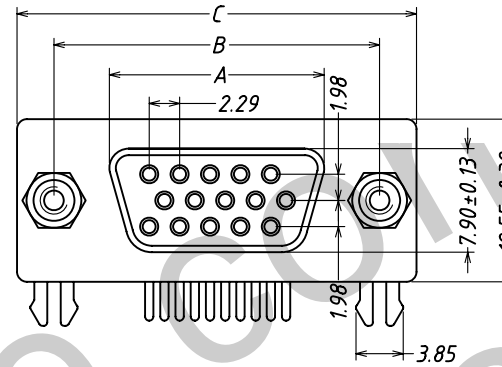


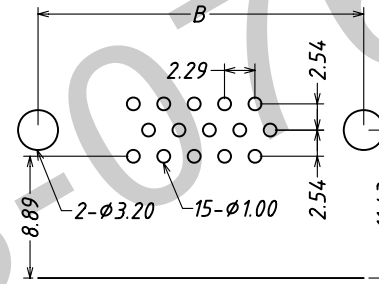
JRB2-26(44 62)F



JRB2-15F




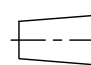
PCB LAYOUT FOR
26 44 62PINS



PCB LAYOUT FOR 15PINS

MATERIAL:
 INSULATOR:PBT+30% GLASS FIBER.
 CONTACT: BRONZE
 CONTACTPLATED:GOLD OVER NICKELOR TIN
 SHELL:STEEL,nickel
 SPESIFICATION:
 CURRENT RATE:5 AMPS
 INSULATOR RESISTANCE:1000M MIN.AT 500V DC
 DIELECTRIC STRENGTH:1000V PER
 OPERATION TEMPERATURE:-55C TO+105C
 IMPEDANCE:16M FOR 25MHZ
 NOTICE: THE DIMENSION MAKED WITH "△"
 MUST BE CONTROLLED BY QC.

NUMBER OF CONTACTS	A	B	C	D
15	±0.25	±0.13	±0.38	±0.05
26	16.33	24.99	30.85	2.29
44	24.66	33.32	39.14	2.29
62	38.38	47.04	53.04	2.29
	54.84	63.50	69.32	2.41

UNLESS TOLERANCE		DRAW BY: qianwei	2011.12.07	PAPT NO:
GENERAL	ANGLE			
X. ± 0.30	X' ± 3'	CHECK BY:		ITEM : HDR15-62 Female 铆锁式
.X ± 0.20	.X' ± 2'	APPROVE BY:		
.XX ± 0.15	.XX' ± 1'	SCALE	SHEET	UNIT
.XXX ± 0.05	.XXX' ± 0.5'	1:1	1/1	mm
 		DRW NO: DRTZ0055	REV: 1.1	