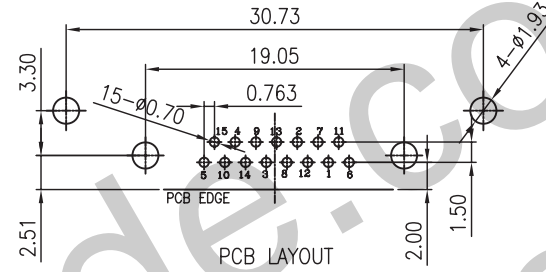
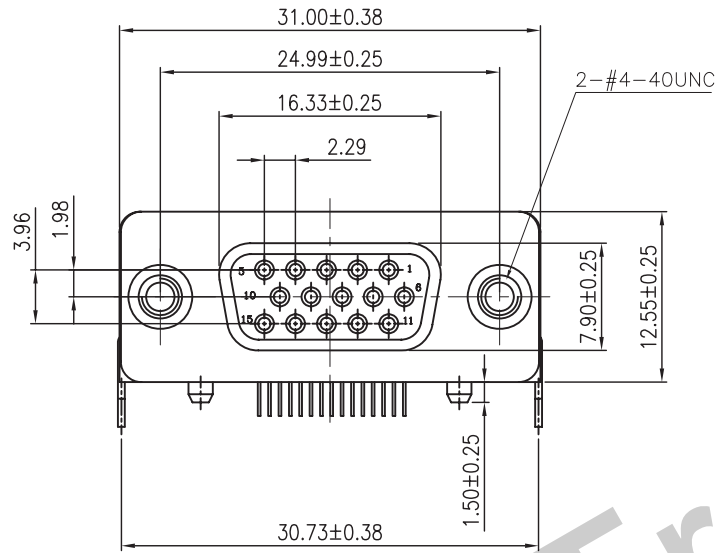
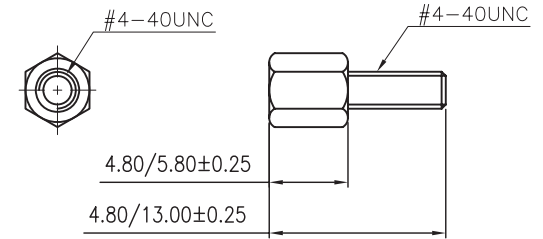
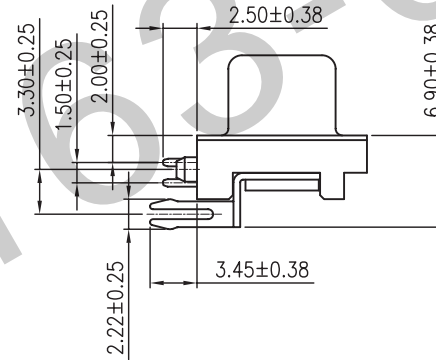
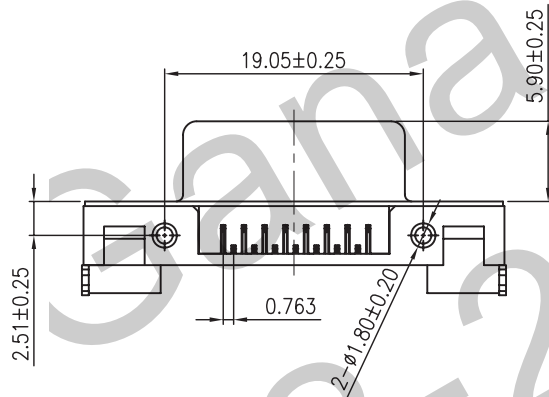


RoHS COMPLIANT

REV.	REVISION	NOTES	DATE	APP
A0		新版发行	2012.04.25	



- NOTE:
 MATERIALS:
 1. Housing: PBT Color: Blue
 2. Cover: PA66 Color: Blue
 3. Contacts: Brass
 4. Shell: SPCC
 5. Board Lock: SPCC
 6. Rivet: Copper Alloy
 7. Screw: SPCC
 FINISH:
 1.1. Contacts: Sn Plated Over Nickel
 1.2. Contacts: Gold Flash Plated on Contact Area Sn Plated on Solderails Nickel Under Plated Over All
 2. Shell: Nickel Plated
 3. Board Lock: Sn Plated Over Nickel
 4. Rivet: Nickel Plated
 5. Screw: Nickel Plated



TOLERANCES UNSPECIFIED		SCALE	UNIT	REV.	SHEET
.X: ± 0.38		1:1	MM	A0	1/1
.XX: ± 0.25		TITLE	HDR15F超薄 侧插前8后7	DESIGN	Lynn 2012.04.25
.XXX: ± 0.10		PART NO.	WT-HDR15F1587C00	CHECKED	Lynn 2012.04.25
ANGLE: $\pm 2'$		DWG. NO.		APPROVED	Qian 2012.04.25