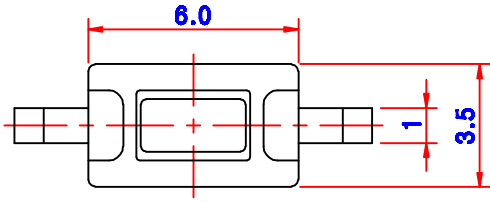
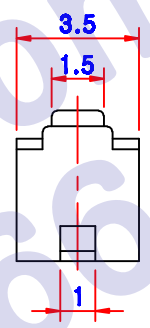
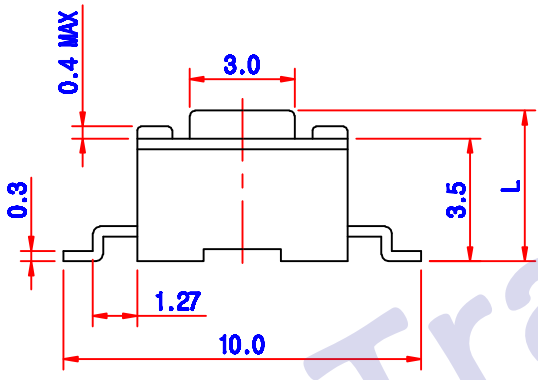
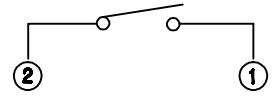


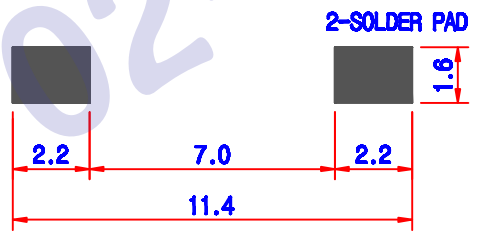
Opening Force	4.3mm	5.0mm
180gf	ST-1101NS-2	ST-1101NSA-2
250gf	ST-1101NS-3	ST-1101NSA-3



CIRCUIT DIAGRAM



P.C.B PATTERN DIAGRAM



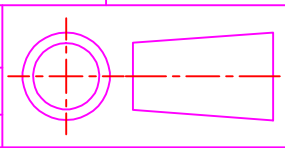
*** NOTES**

1. RATING : DC 12V , 50mA
2. TRAVEL : 0.25 ± 0.1mm
3. OPERATING FORCE : 180, 250 ± 50gf
4. CONTACT RESISTANCE : 100mΩ MAX
5. LIFE : 50,000 or 20,000 CYCLES Min

DRAWN	DESIGNED	CHECKED	APPROVED
kim jong pil			

MODEL NO :
TITLE : TACT S/W ASS"Y

SCALE : 5 : 1
FILE NO :
DATE : 2003



DWG NO :