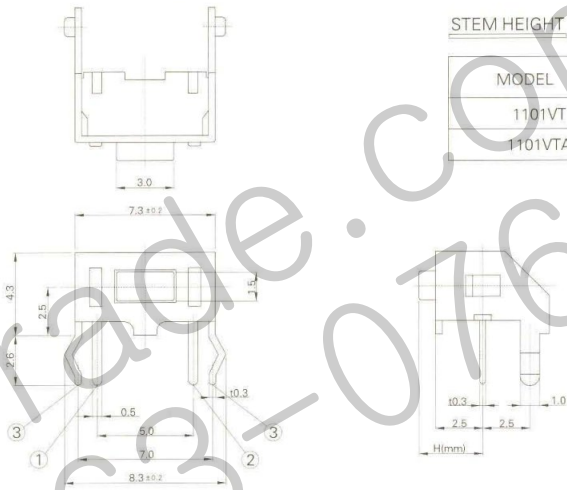


1101VT



STEM HEIGHT

MODEL	H(mm)
1101VT	3.15
1101VTA	3.85

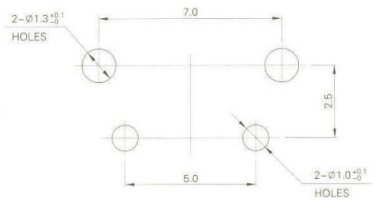
SPECIFICATION

1. RATING : DC 12V 50mA
2. TRAVEL : 0.25 ± 0.1 mm
3. CONTACT RESISTANCE : 100m Ω MAX.
4. BOUNCE : 10m SEC MAX.

CIRCUIT DIAGRAM



P.C.B MOUNTING HOLES



MODEL	OPERATING FORCE	LIFE CYCLES
1101VT -1	130 \pm 30gf	50,000 CYCLE
1101VT -2	180 \pm 50gf	50,000 CYCLE
1101VT -3	250 \pm 50gf	30,000 CYCLE