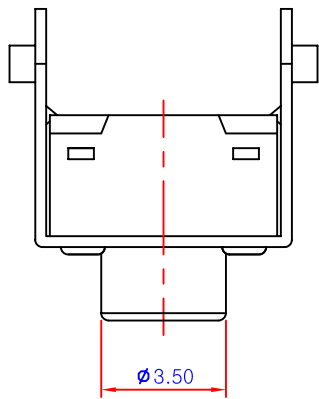
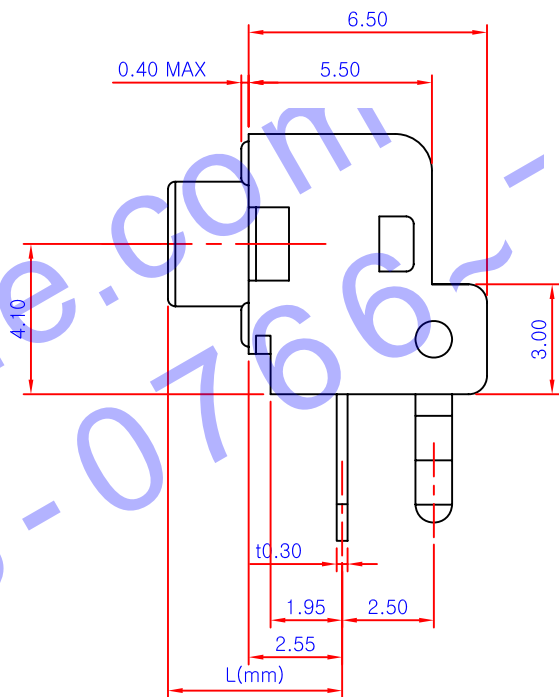
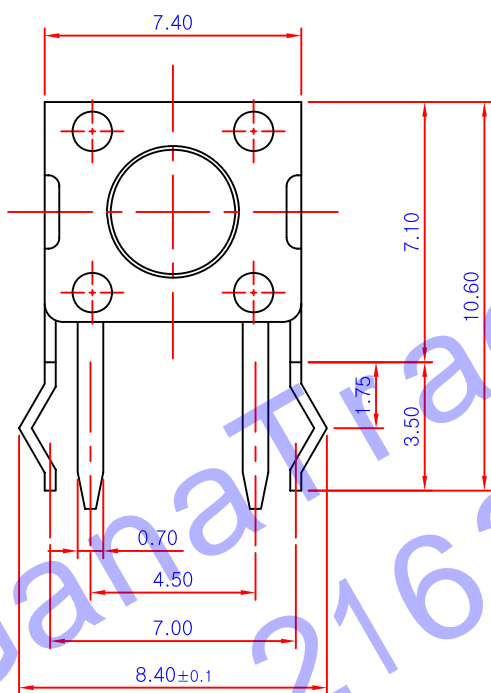
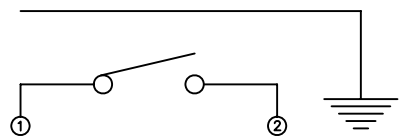


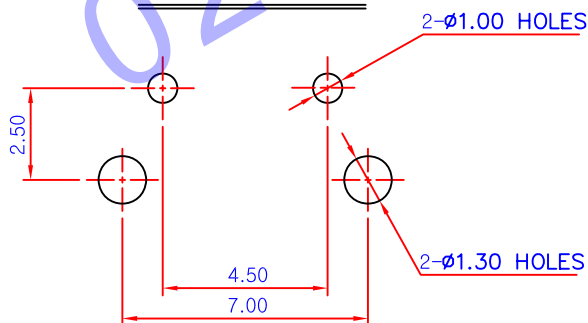
Operating Force	L = mm							
	3.15	3.85	5.85	6.85	8.35	6.15	11.35	12.35
130gf	1102V-1	1102VA-1	1102VB-1	1102VC-1	1102VD-1	1102VE-1	1102VF-1	1102VG-1
160gf	1102V-2	1102VA-2	1102VB-2	1102VC-2	1102VD-2	1102VE-2	1102VF-2	1102VG-2
250gf	1102V-3	1102VA-3	1102VB-3	1102VC-3	1102VD-3	1102VE-3	1102VF-3	1102VG-3



CIRCUIT DIAGRAM



P.C.B DIAGRAM



\* NOTES

1. RATING : DC 12V , 50mA
2. CONTACT RESISTANCE : 100mΩ MAX
3. OPERATING FORCE : 130,160,250 ± 50gf
4. OPERATING LIFE : 100,000 CYCLES MIN
5. TRAVEL : 0.25 ± 0.1mm MAX

DRAWN	DESIGNED	CHECKED	APPROVED
kim jong pil			
SCALE :	5 : 1		
FILE NO :			
DATE : 2003			

MODEL NO : 1102V  
 TITLE : TACT S/W ASS'Y



**SAM YOUNG**  
 HI - TECH CO., LTD.

DWG NO :