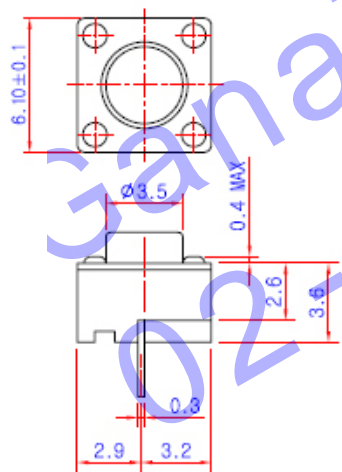
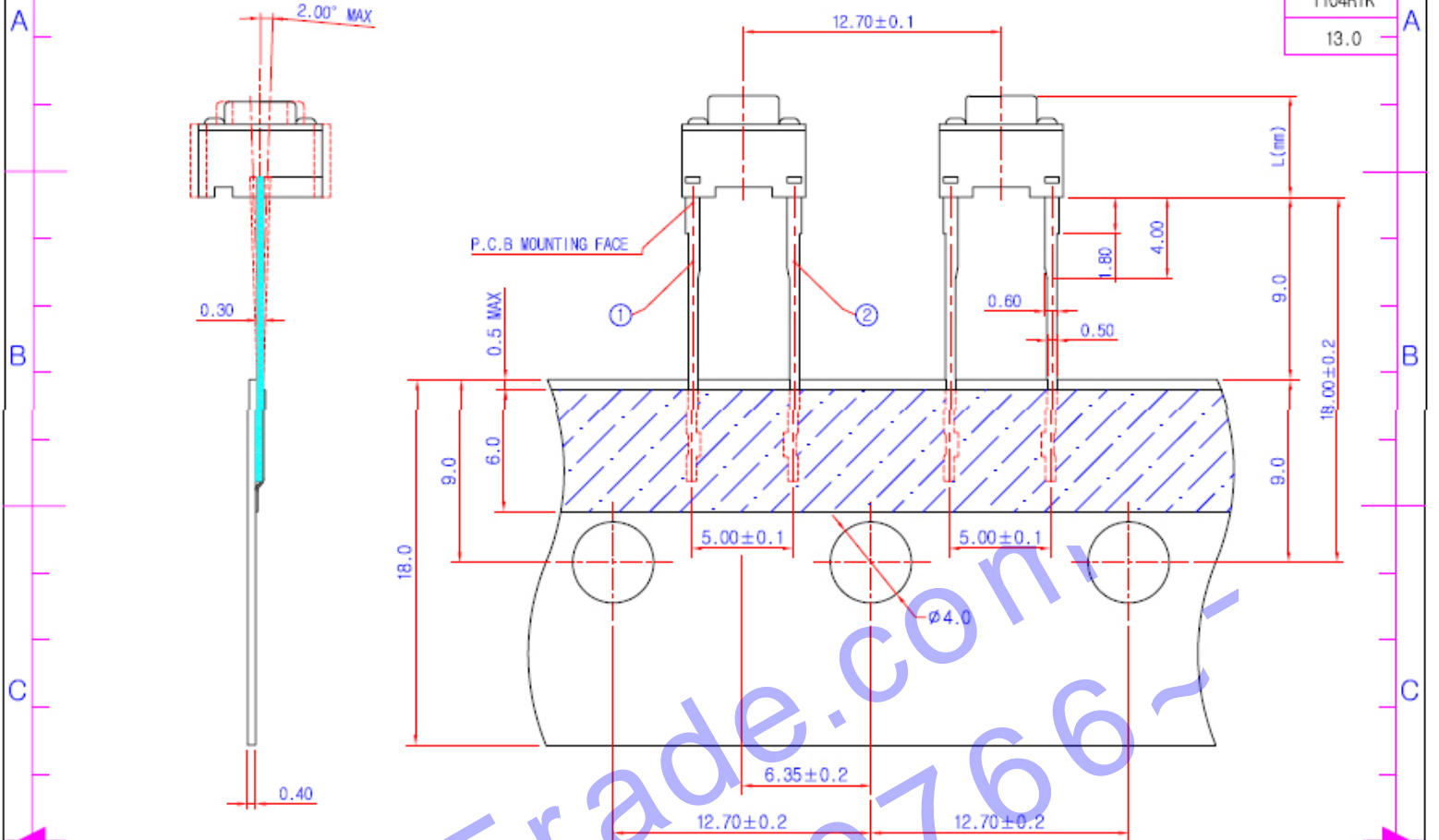


NO	1	2	3	4	5	6	7	8	9	10	11
MODEL	1104RT	1104RTA	1104RTB	1104RTC	1104RTD	1104RTE	1104RTF	1104RTG	1104RTH	1104RTI	1104RTJ
L(mm)	4.3	5.0	7.0	8.0	9.5	7.3	12.5	13.5	9.7	17.0	16.3

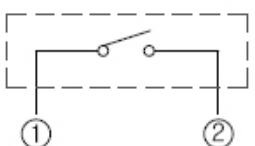
1104RTK  
13.0



P.C.B DIAGRAM



CIRCUIT DIAGRAM



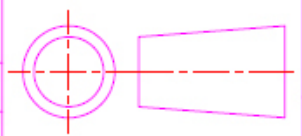
\*NOTES

1. RATING : DC 12V, 50mA
2. TRAVEL :  $0.25 \pm 0.1$  mm
3. OPERATING FORCE :  $160,250 \pm 50$ gf
4. CONTACT RESISTANCE :  $100\text{m}\Omega$  MAX
5. LIFE : 100,000 CYCLES MIN

DRAWN	DESIGNED	CHECKED	APPROVED
Kim Jong pil			

MODEL NO : 1104RT  
TITLE : TACT S/W

SCALE : 3 : 1  
FILE NO :  
DATE : 2003 ,



**ANA ELECTRONIC**  
DWG NO ;