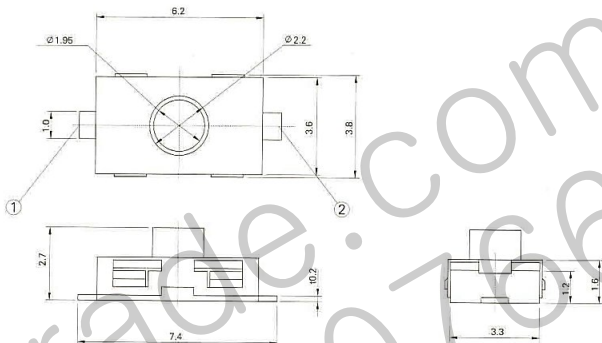
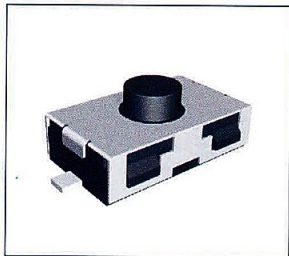


1111



SPECIFICATION

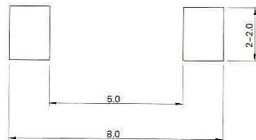
1. RATING : DC 12V 50mA
2. CONTACT RESISTANCE : 100mΩ MAX.
3. TRAVEL : 0.4 ± 0.15mm
4. BOUNCE : 10m SEC MAX.
- 5.

MODEL	OPERATING FORCE	LIFE CYCLES
1111-1	120 ± 50gf	50,000 CYCLE
1111-2	200 ± 50gf	50,000 CYCLE
1111-3	250 ± 50gf	30,000 CYCLE

CIRCUIT DIAGRAM



P.C.B LAND PATTERN



PACKING

REEL TYPE

3,000/1REEL(EA)

