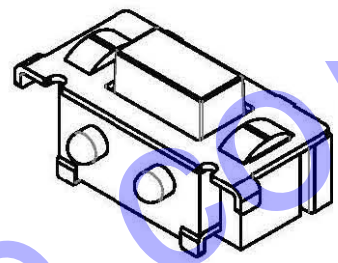
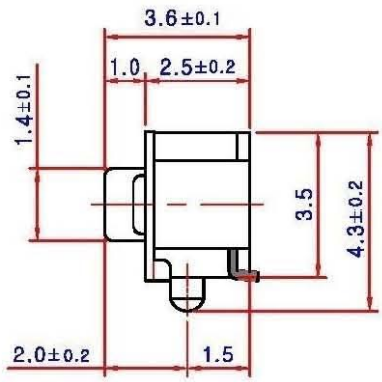
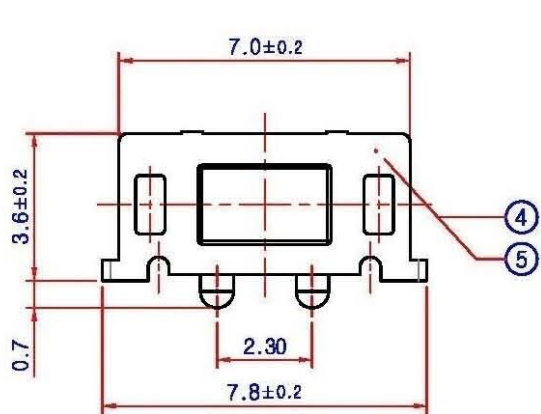


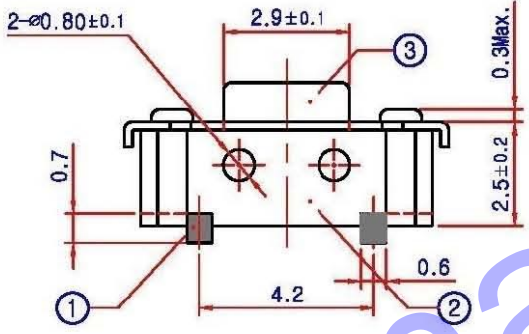
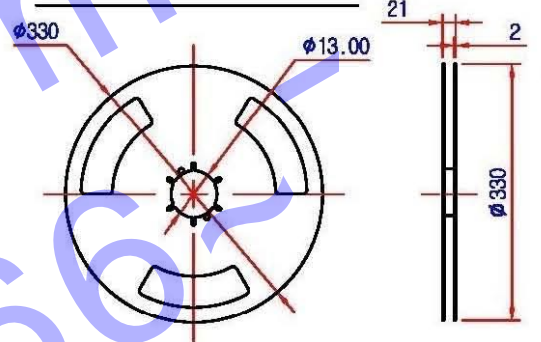
NO	DESCRIPTION	SPECIFICATION	Q'TY	MATERIAL	FINISHING
1	TERMINAL	—	1	C2680	Ag
2	STEM	—	1	L.C.P	BLACK
3	CASE	—	1	L.C.P	IVORY
4	COVER	—	1	C2680	
5	CONTACT	—	1	SUS 301	Ag

A4-210 X 297



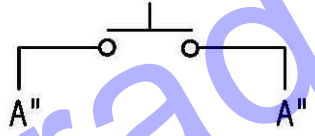
ISO VIEW

Carrier Taping Dimension



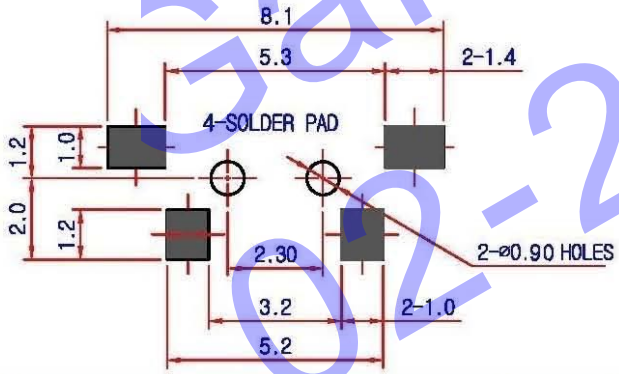
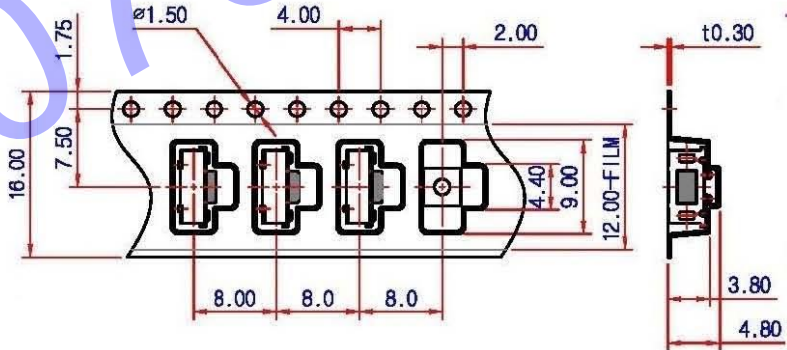
P.C.B DIAGRAM

CIRCUIT DIAGRAM



* NOTES

1. RATING : DC 12V , 50mA
2. TRAVEL : 0.25 ± 0.1mm
3. OPERATING FORCE : 180,250 ± 50gf
4. CONTACT RESISTANCE : 100mΩ MAX
5. LIFE : 50,000 CYCLES Min
6. REEL PACKING : 2,000 PCS



GENERAL TOLERANCE			
	1	2	3
0 - 4	±0.005	±0.1	±0.2
4 - 16	±0.010	±0.15	±0.3
16 - 64	±0.050	±0.25	±0.5
64 - 250	±0.100	±0.4	±0.8

UNIT	mm
SCALE	5/1
PAPER	297 X 210 A4
PAGE	1-1

MODEL NAME : GTT-1112A-2

TITEL : TACT S/W ASS'Y

ANA

DRAWING	CHECKED	DESIGN	APPROVED

DRAWING NUMBER :

DATE :

MARK	REVISION	DESCRIPTION	DATA	NAME	REMARK
1					
2					
3					

NAME

REVDATE

FRAME

A

B

C

D

A

B

C

D

1

2

3

4

5

6