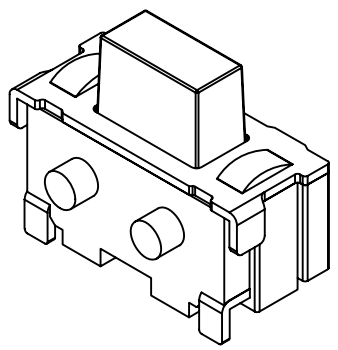
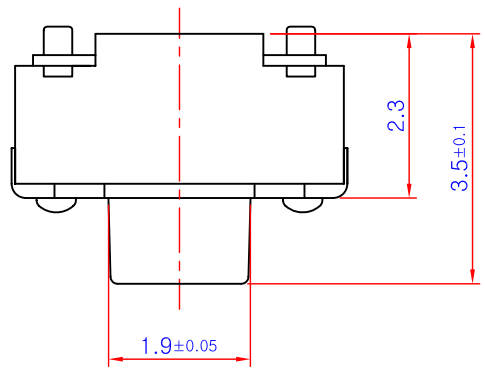
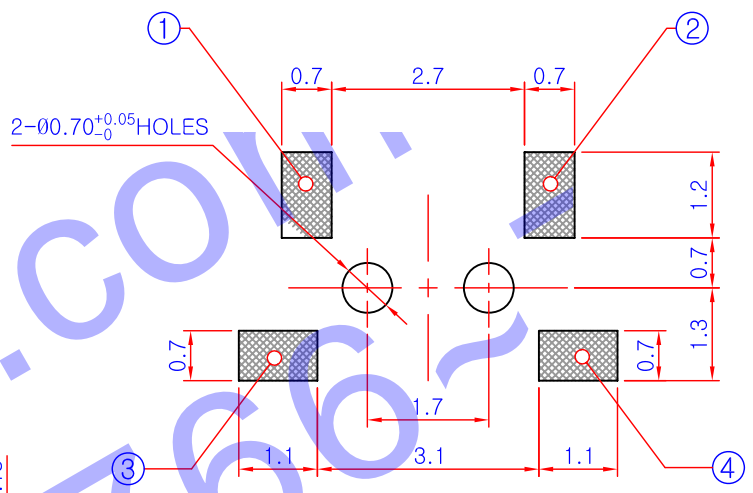


NO	MODEL NAME	OPERATING FORCE	OPERATING LIFE	STEM COLOR
1				

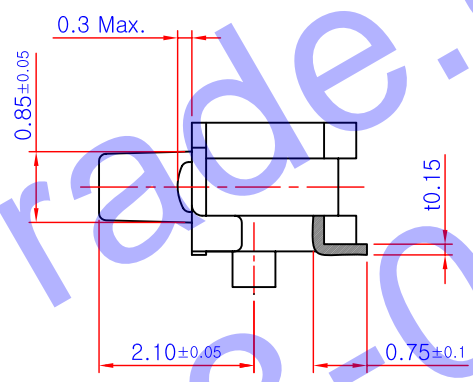
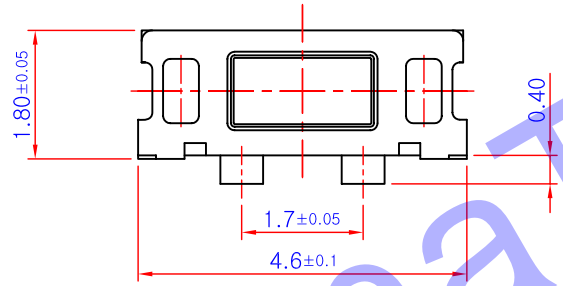
A4 210 X 297



P.C.B MOUNTING PATTERN DIMENSION



FRAME

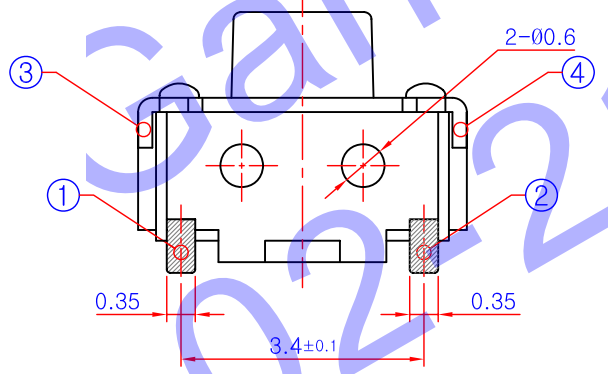
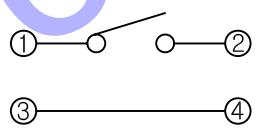


\* NOTES

1. RATING : DC 12V , 50mA
2. TRAVEL : 0.2 ± 0.1mm
3. OPERATING FORCE : 180 ± 50gf
4. CONTACT RESISTANCE : 100mW MAX
5. LIFE : 50,000 CYCLES Min

REVDATE

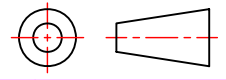
CIRCUIT DIAGRAM



NAME

MARK	REVISION	DESCRIPTION	DATE	NAME	REMARK
	1				

GENERAL TOLERANCE				UNIT	mm
0 - 4	1	2	3		
±0.05	±0.1	±0.2	±0.3	SCALE	10/1
±0.08	±0.15	±0.25	±0.5	PAPER	297 X 210 A4
±0.12	±0.4	±0.8		PAGE	1-1



MODEL NAME : **GTT-1114A**

TITEL : TACT S/W ASS'Y

**GANNA**

DRAWING	CHECKED	DESIGN	APPROVED
---------	---------	--------	----------

DATE : 2012 년 11 월 15 일

D