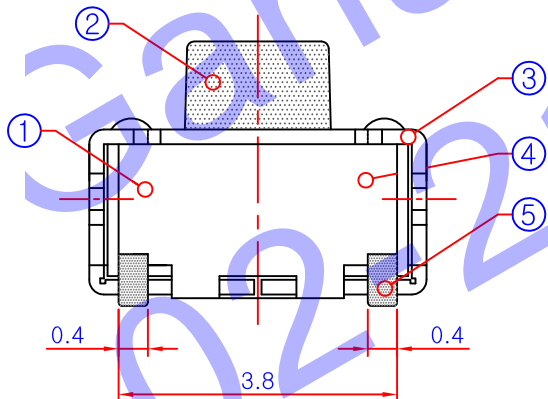
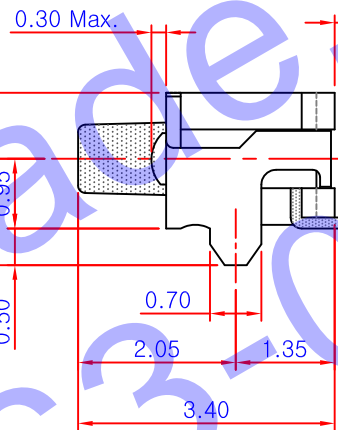
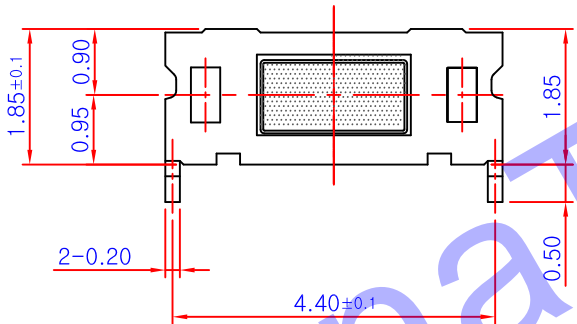
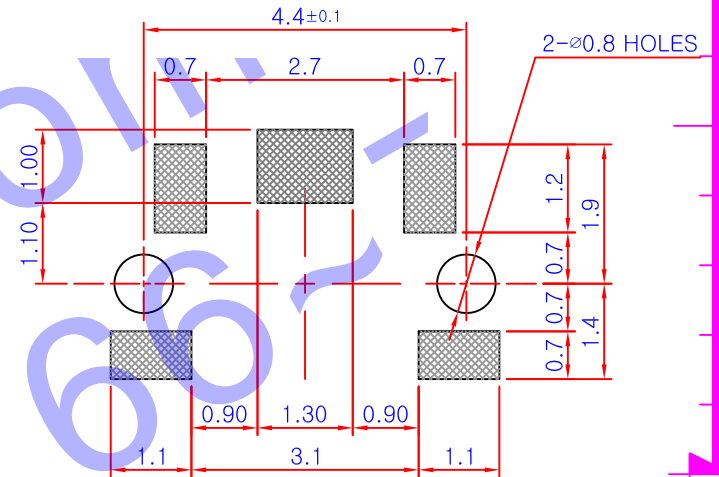


CIRCUIT DIAGRAM



P.C.B DIAGRAM

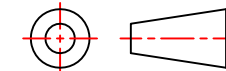


\* NOTES

1. RATING : DC 12V , 50mA
2. TRAVEL : 0.2 ± 0.1mm
3. OPERATING FORCE : 160 ± 50gf
4. CONTACT RESISTANCE : 100mΩ MAX
5. LIFE : 50,000 CYCLES Min

GENERAL TOLERANCE

	1	2	3
0 - 4	±0.05	±0.1	±0.2
4 - 16	±0.08	±0.15	±0.3
16 - 64	±0.12	±0.25	±0.5
64 - 250	±0.25	±0.4	±0.8



UNIT	mm
SCALE	10/1
PAPER	297 X 210 A4
PAGE	1-1

MODEL NAME : 1114R

TITEL : TACT S/W ASS'Y

**ANA**

DRAWING CHECKED DESIGN APPROVED

DATE : 2007 년 10월 06일

MARK	REVISION	DESCRIPTION	DATA	NAME	REMARK
1					
2					
3					
4					
5					
6					