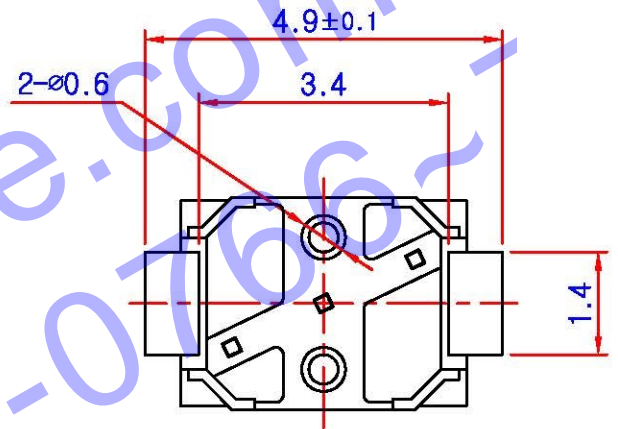
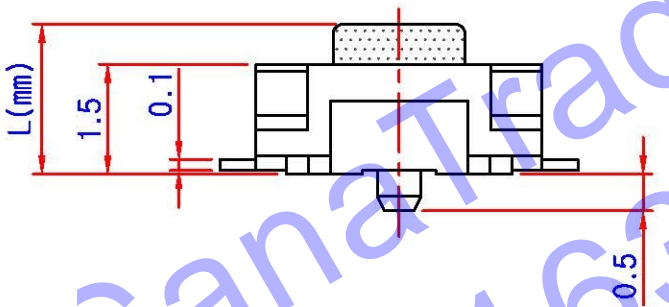
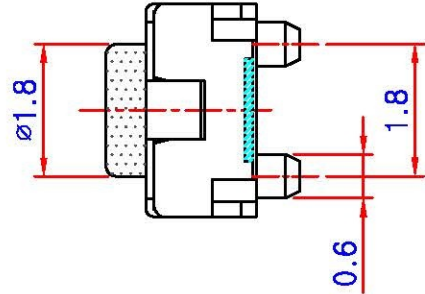
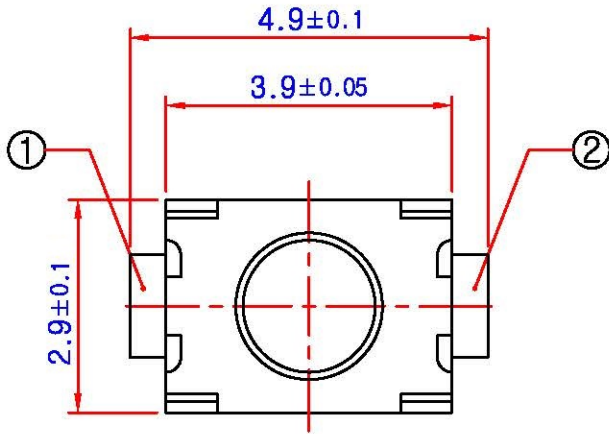
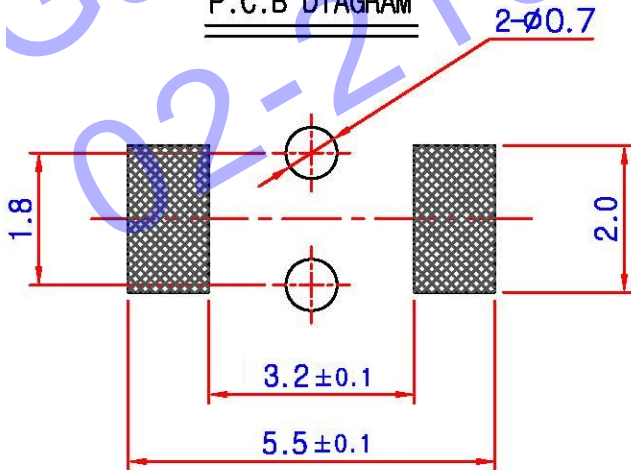


NO	MODEL	L(mm)
1	ST-1185SE	1.5
2	ST-1185SEA	2.0
3	ST-1185SEB	2.5

CIRCUIT DIAGRAM



P.C.B DIAGRAM



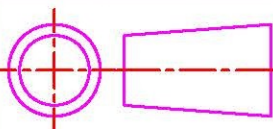
* NOTES

1. RATING : DC 12V , 50mA
2. TRAVEL : 0.2 ± 0.1 mm
3. OPERATING FORCE : 160, 250 \pm 50gf
4. CONTACT RESISTANCE : 100mW MAX
5. LIFE : 100,000 CYCLES Min

DRAWN	DESIGNED	CHECKED	APPROVED
kim jong pil			

MODEL NO : 1185SE
 TITLE : TACT S/W ASS'Y

SCALE : 5 : 1
 FILE NO :
 DATE : 2003 ,



DWG NO ;