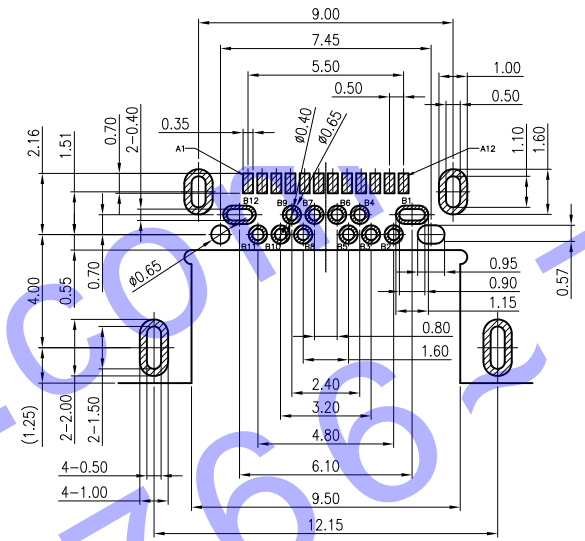
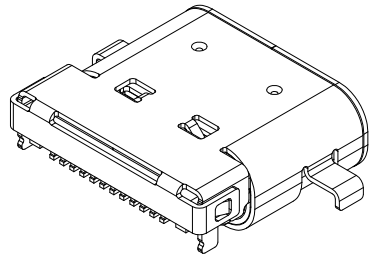
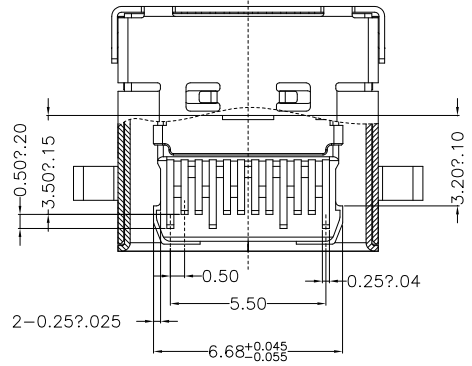
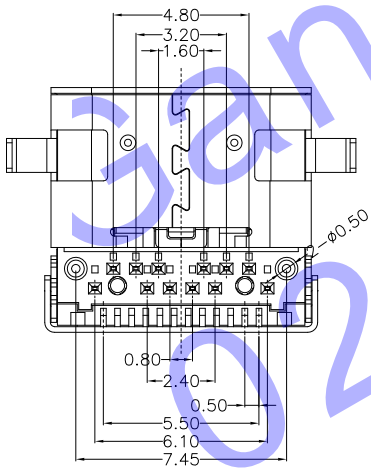
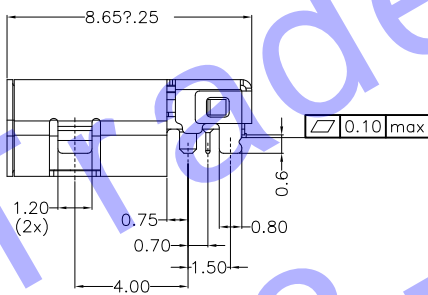
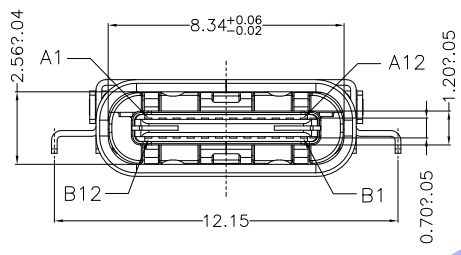


REV.	ECN NO.	DESCRIPTION	DRAW	CHECK	APPD.	DATE
A0				—		2020-06-15



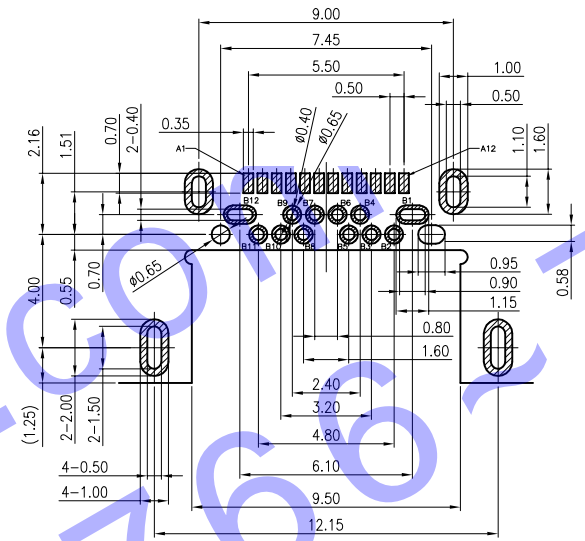
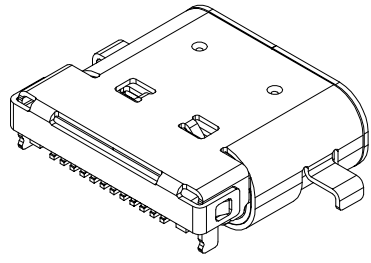
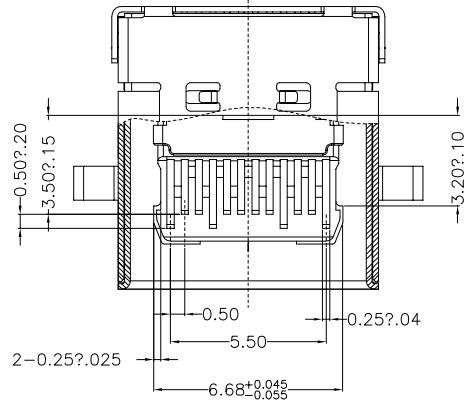
RECOMMEND P.C.B LAYOUT(COMPONENT SIDE)
TOLERANCE FOR PCB LAYOUT IS ± 0.05



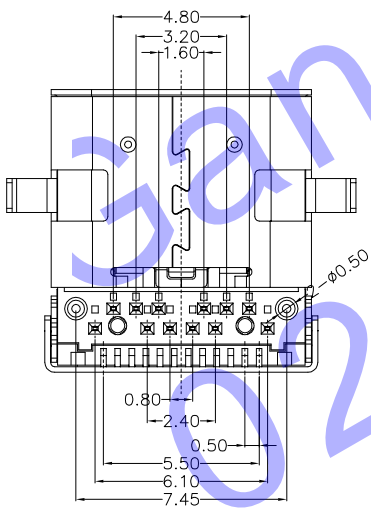
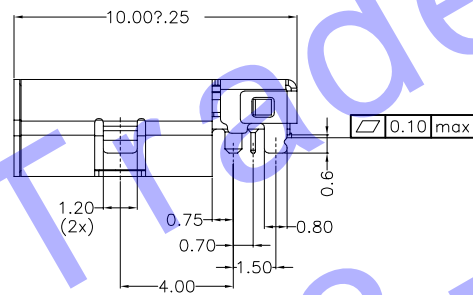
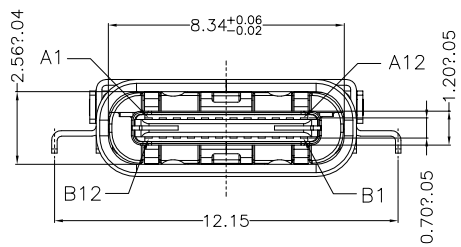
6	EMA	SUS		
5	MID-PLATE	SUS		
4	CONTACT DIP	COPPER ALLOY		GOLD/TIN PLATED
3	CONTACT SMT	COPPER ALLOY		GOLD/TIN PLATED
2	SHELL	SUS		NI PLATED
1	HOUSING	LCP	BLACK	UL 94V-0
NO:	DESCRIPTION	MATERIAL	COLOR	REMARK

UNITS mm	SCALE 1:1	REV. A0	SHEET 1 OF 1	H D C 有限公司	
DATE 2020-06-15		TITLE: type-c沉板双壳PIN长0.6(总长8.65)			
GENERAL TOLERANCE 0.00 ±0.25 0.* ±4*		DR. CHK. JUN	MAT'L SEE TABLE		FINISH SEE TABLE
		APPD. YANG	DWG.NO. UC-030-1K4	A	PART NO. SEE TABLE
					SIZE A4

REV.	ECN NO.	DESCRIPTION	DRAW	CHECK	APPD.	DATE
A0				—		2020-06-15



RECOMMEND P.C.B LAYOUT (COMPONENT SIDE)
TOLERANCE FOR PCB LAYOUT IS ± 0.05



6	EMA	SUS		
5	MID-PLATE	SUS		
4	CONTACT DIP	COPPER ALLOY		GOLD/TIN PLATED
3	CONTACT SMT	COPPER ALLOY		GOLD/TIN PLATED
2	SHELL	SUS		NI PLATED
1	HOUSING	LCP	BLACK	UL 94V-0
NO:	DESCRIPTION	MATERIAL	COLOR	REMARK

UNITS	SCALE	REV.	SHEET	H D C 有限公司	
mm	1:1	A0	1 OF 1		
DATE		2020-06-15		TITLE:	
GENERAL TOLERANCE		DR.		type-c沉板双壳PIN长0.6(总长10.0)	
0.00 ±0.25		CHK. JUN		MAT'L SEE TABLE	
0.* ±4*		APPD. YANG		FINISH SEE TABLE	
DWG.NO. UC-030-1K3			PART NO. SEE TABLE		SIZE A4