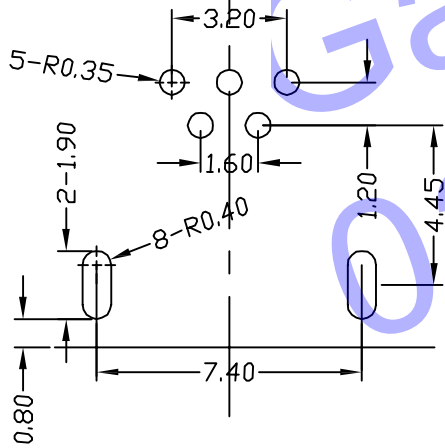
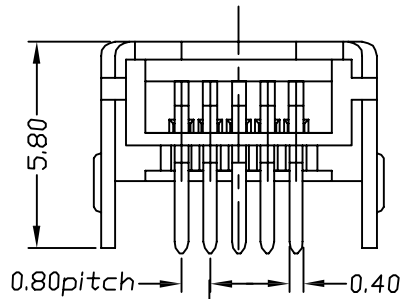
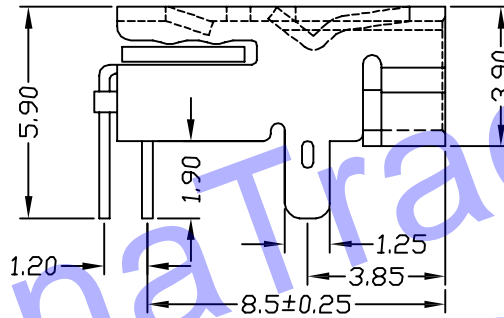
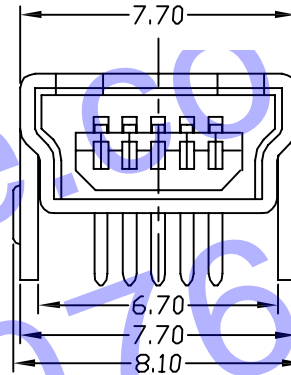


Electrical
 Voltage: 5.0 V
 Current: 0.5 A
 Contact Resistance: Terminal 50 milliohms max-shell and Terminal
 Isulation Resistance: 100 Megohms min
 Dielectric Withstanding Voltage: 100 V AC/1 min
 Temperture: -40℃~85℃



RECOMMENDED PCB LAYOUT

NOTES:
 1.MATERIAL:C2680H/2
 2.THICKNESS:T=0.40MM
 3.BURR NOT TO EXCCED 0.05MM
 4.DIM,MAKER"▲"MUST BE CHEKED
 5. 接合处紧密.

设计 DRAW BY	杨帆	审核 DISCUSS BY	
校对 DISCUSS BY		比例 SCALE	2:1

HDC 有限公司

图名 DRAWING NO	Y2039		图号 SHEET NO	030	日期 DATE	2007.11.08	
客户 VERSION		数量 QUAN	备注 REMARK	版次 REMARK	张号 SHEET	1/1	