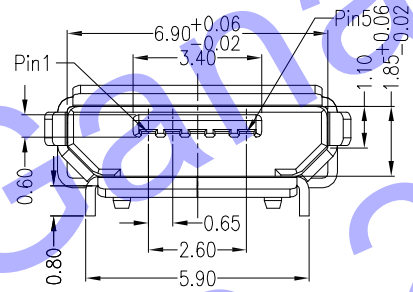
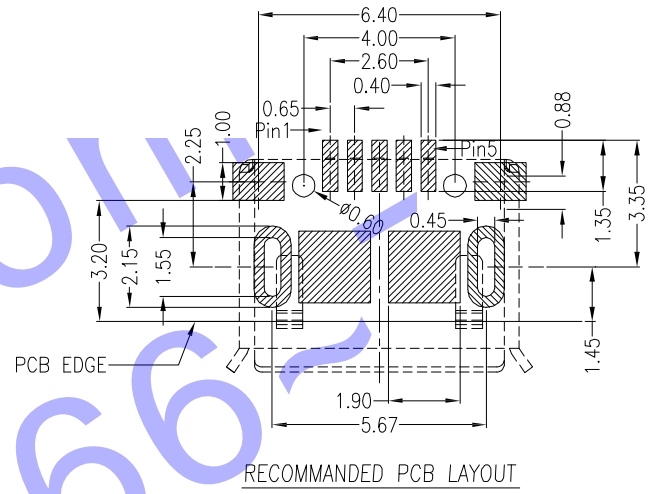
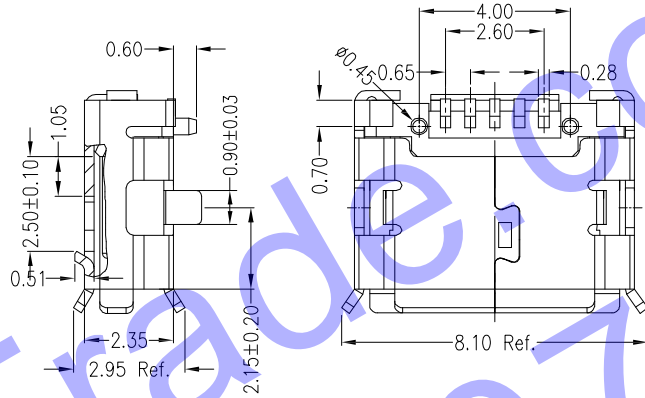
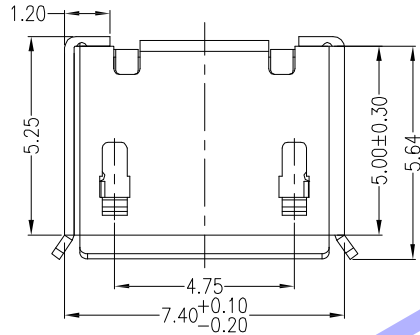
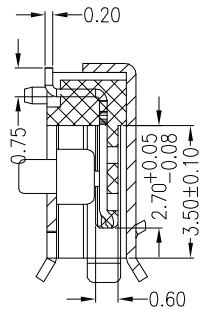
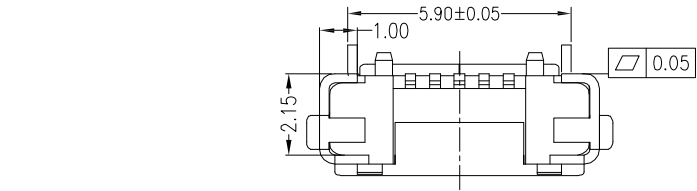


RoHS COMPLIANT



**A 01 S B X X X X X X X 1-037**

- ① 产品代号 A:成品
- ② 产品系列 01:micro usb 5pin
- ③ 产品类别 S:母座
- ④ 产品类型 B:B TYPE
- ⑤ 外壳材质 1:C2680R-H 5:SPCC
- ⑥ 外壳电镀 0:素材;1: Ni100μ";2:雾Sn100μ";3:Ni+Au1μ" (铜);4:全Au1μ"
- ⑦ 端子材质 4:C5191R-BH 2:C2680R-BH
- ⑧ 端子电镀 0:素材;1:全Au1μ";2:全Au1.6μ";3:全Au3μ";4:全Au10μ";5:全Au15μ";6:全Au30μ";7:雾Sn+Au1μ";8:雾Sn+Au3μ"
- ⑨ 主体材质 1:LCP
- ⑩ 主体颜色 B:黑色 W:白色
- ⑪ 包装方式 1:吸塑管;2:卷带;4:pe袋
- ⑫ 下板类型 1:dip (插板)
- ⑬ 细节流水 007:Micro usb 5s B Type Smt有弹脚插板5.9有柱

Note:  
 1.Material:  
 1.1 Housing: High temperature thermoplastic with g.f,UL94v-0  
 1.2 Contact: copper alloy,t=0.20mm  
 1.3 Shell: copper alloy,t=0.25mm  
 2.Specification:  
 2.1 Current rating: 1 A Max.  
 2.2 Dielectric withstanding voltage: 100 V(ac) for 1 min.  
 2.3 Contact resistance: 50 mW Max.  
 2.4 Insulation resistance: 100 MW Min.  
 2.5 Total mating force: 3.57 Kgf Max.  
 2.6 Total unmating force: 1.0 Kgf Min.0.81~2.05 Kgf Min.after 10000 insertion/extraction cycles  
 2.7 Temperature range: -30°C~80°C

REV	DESCRIPTION	DATE	QUALITY SYMBOLS ■: CRITICAL ▽: ZERO DEFECT	  	UNIT mm	SCALE 3:1	TOLERANCES DIM. ±0.30 ANGLE: 3°	APPROVED	DESC	Q'TY	MATERIAL		REMAKS	PART REMAKS	
								CHECKED	DESIGN	DRAWN	PART NO.	SEE NOTE	SHT	1/1	
A	图面发行	09'-10-23											MICRO 5P 端SMT, 铁壳DIP后SMT, 带定位柱		

02-2