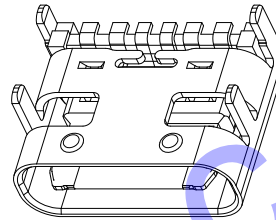
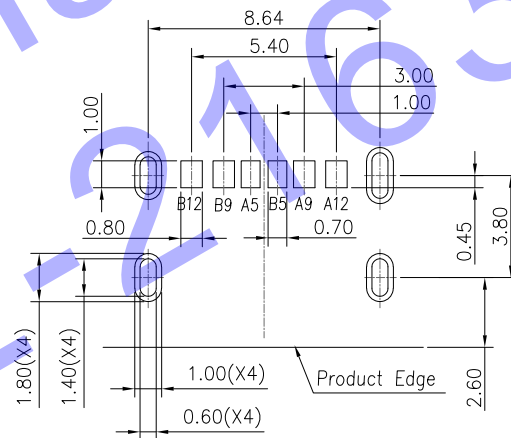
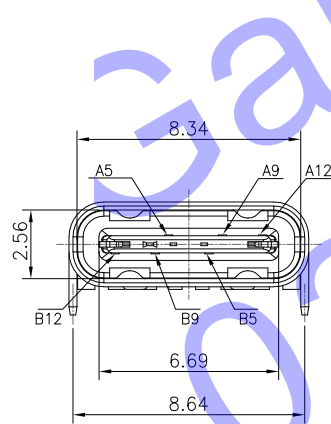
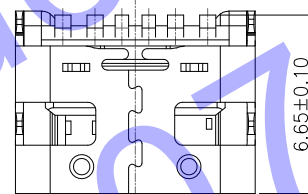
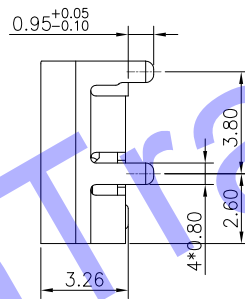
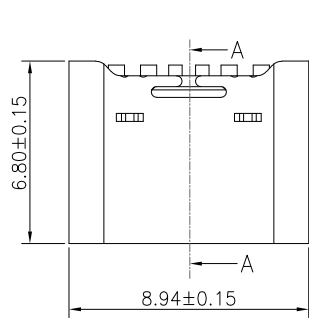


剖面图 A-A



Specification:

1. Electrical Characteristics:
 - Contact Current Rating: 5 Amperes Max.
 - Rated Voltage: 20V Max.
 - Dielectric Withstanding Voltage: AC 100V r.m.s.
 - Insulation Resistance: 100 MΩ Minimum.
 - Contact Resistance: 40 mΩ Maximum.
2. Environmental:
 - Operating Temperature: -40°C~+85°C.
3. Mechanical Characteristics:
 - Insertion Force: 5~20Nf.
 - Withdrawal Force: 6~20Nf.
 - Durability Cycles: 3000 Cycles.
4. (xx) Make is FAI test Dimension
 ▼ Make is major test Dimension



RECOMMENDED P.C.B. LAYOUT
 TOLERANCE UNSPECIFIED ±0.05mm

A5	CC1	B5	CC2
A9	VBUS	B9	VBUS
A12	GND	B12	GND
PIN	SIGNAL NAME	PIN	SIGNAL NAME

UNITS mm	SCALE 1:1	REV. B3	SHEET 1 OF 1
		DATE 2016.3.5	TITLE USB C TYPE F 6Pin SMT
GENERAL TOLERANCE		DR. Andy.Pi	MAT'L SEE TABLE
0. ±0.15		CHK. Andy.Pi	FINISH SEE TABLE
0.0 ±0.10		APPD. zhufagui	DWG.NO.
0.00 ±0.05			A
0.° ±2°			PART NO. SEE TABLE
0.0° ±1°			SIZE A4

H D C 有限公司			
TITLE USB C TYPE F 6Pin SMT			
MATERIAL SEE TABLE		FINISH SEE TABLE	
DRAWING NO.		PART NO. SEE TABLE	SIZE A4