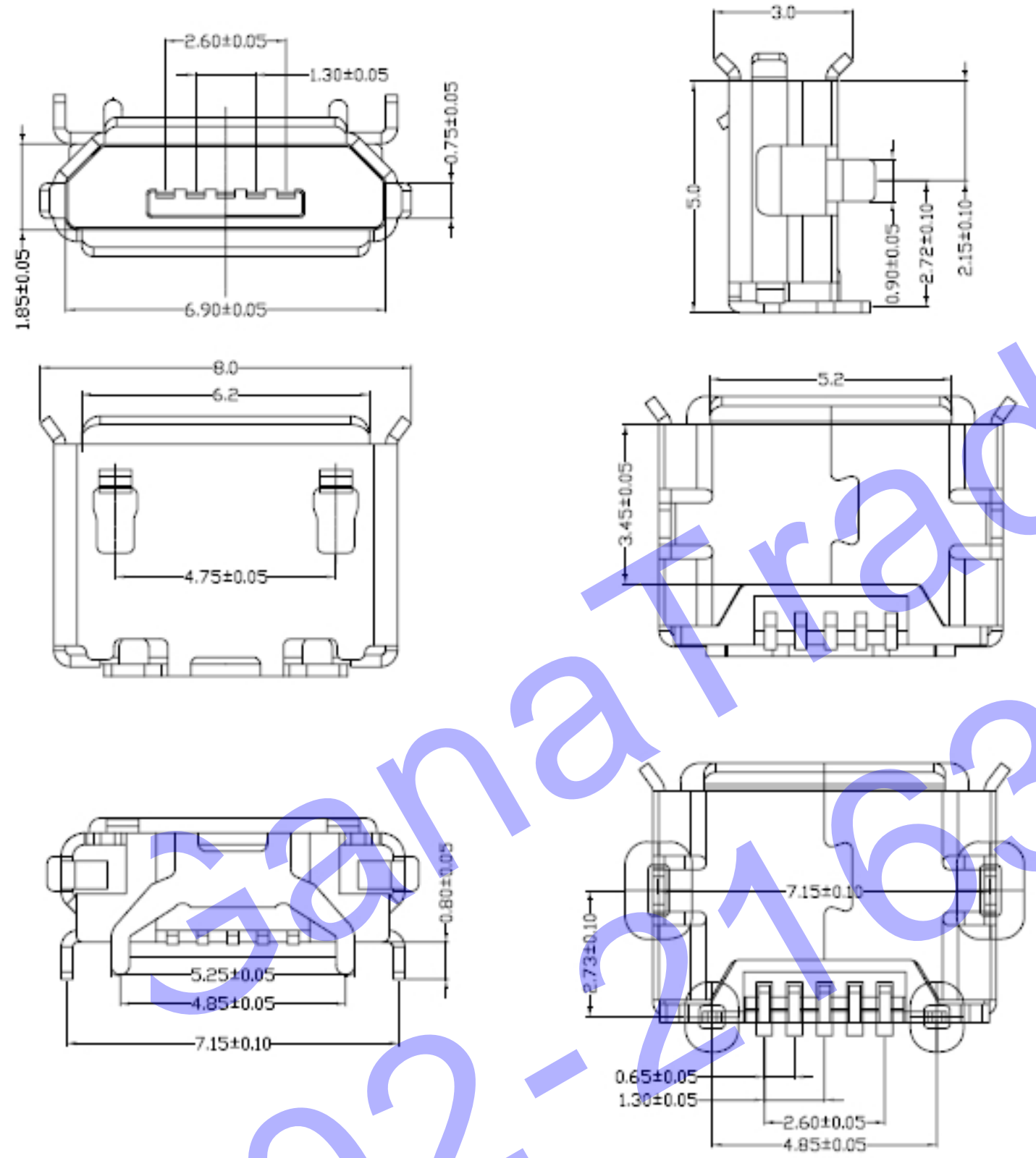


更改 REV	变更内容 MODIFICATION	日期 DATE	制图 DRAW	审核 APPROVE
A	图纸发行	2012/10/29	JDL	Oscar



Note:
 1. Material:
 1.1 Housing: High temperature thermoplastic with g.f. UL94v-0
 1.2 Contact: copper alloy, t=0.20mm
 1.3 Shell: copper alloy, t=0.25mm
 2. Specification:
 2.1 Current rating: 1 A Max.
 2.2 Dielectric withstanding voltage: 100 V(ac) for 1 min.
 2.3 Contact resistance: 50 mΩ Max.
 2.4 Insulation resistance: 100 MΩ Min.
 2.5 Total mating force: 3.57 Kgf Max.
 2.6 Total unmating force: 1.0 Kgf Min. 0.81~2.05 Kgf Min. after 10000 insertion/extraction cycles
 2.7 Temperature range: -30°C~80°C

RECOMMENDED PCB LAYOUT

QC : inspection Item CPK : Cp/Cpk and SPC Control Item	DIMENSION IN mm [Inch]		H D C 有限公司	
	TOLERANCE UNLE OTHERWISE SPECIFIED		图号 DWG NO.	料号 Part NO:
	.X ± 0.20	X.* ± 1*	MICRO-B-02F	H7311
	.XX ± 0.15	.X* ± 0.5*	名称 TITLE MICRO USB 5P Female SMT Type	
.XXX ± 0.075		制图 DRAW	审核 PROJ.	数量 SHEET
		Oscar	比例 SCALE 1:1	张数 SIZE A3
				更改 REV A