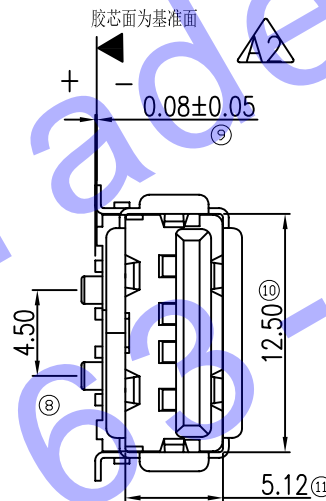
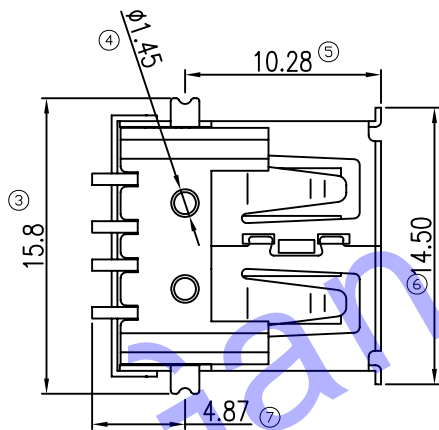
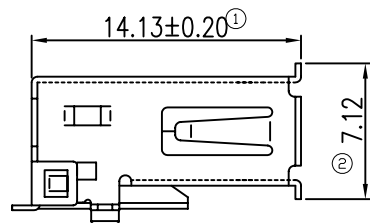
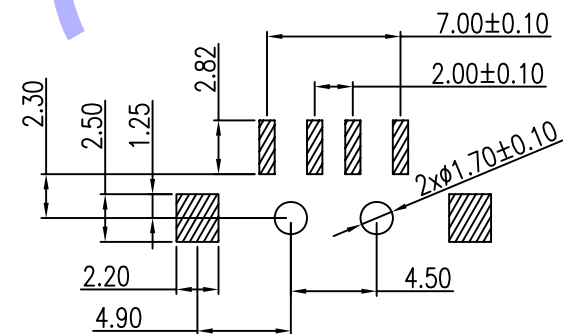


REV.	ECN NO.	DESCRIPTION	DRAW	CHECK	APPD.	DATE
A6	ECN1003020008	新增LCP 无卤规格	leimeigui			2010-03-02



NOTES:
 1.MECHANICAL:
 MATING: 35N MAX.
 WITHDRAWAL: 10N MIN(COPPER ALLOY)
 5.88N MIN(SPCC) .
 DURABILITY: 1500 CYCLES MIN.
 2.ELECTRICAL:
 CURRENT: 1.5A MAX
 VOLTAGE: 30V MAX
 WITHSTANDING VOLTAGE: 500V AC
 CONTACT RESISTANCE: 30 mΩ MAX
 INSULATION RESISTANCE: 1000MΩ MIN
 3.ENVIRONMENTAL
 TEMPERATURE RANGE -55°C ~ +85°C
 4.PACKAGE SPEC:DWG-PK USB-002/DWG-PK USB-008
 5.PRODUCT MEET FOR ROHS STANDARD



RECOMMENDED P.C.B. PATTERN LAYOUT

Table:

PRODUCT NO.	ITEM	PART NO.	PART NAME	Q'TY	Material
CN038S023T(R)	1	PS208B0551	SHELL	1	C2680R-H,Ni 80U"MIN
	2	PS102B0090	CONTACT	4	C5191R-EH,GOLD FLASH
	3	PP101B0372	HOUSING	1	LCP+30%GF,NATURE
	4	CN038S0204	SEMI-PRODUCT		LCP+30%GF,NATURE,GOLD FLASH

UNITS mm	SCALE 1:1	REV. A6	SHEET 1 OF 1	HDC电子有限公司			
		DATE 2007-01-10	TITLE USB AF SMT WITH POST(ZT)				
GENERAL TOLERANCE		DR. GLEN	MAT'L SEE TABLE		FINISH SEE TABLE		
0. ±0.30 0.0 ±0.20 0.00 ±0.15 0.° ±4° 0.0° ±2°		CHK. TONY	DWG.NO. DWG-USB AF-036		A	PART NO. SEE TABLE	SIZE A4