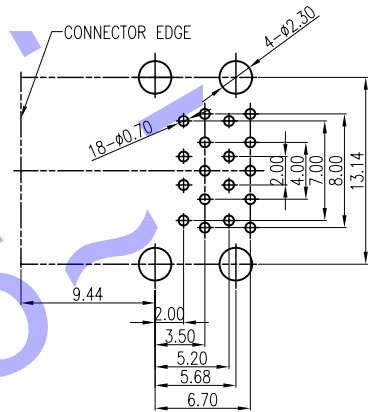
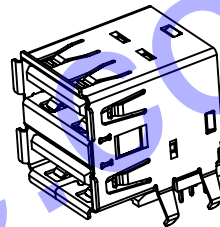
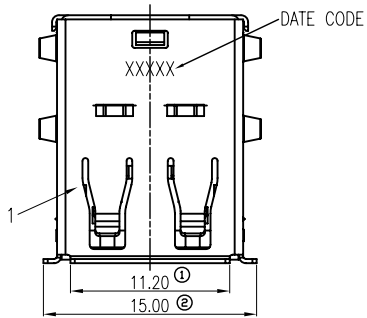
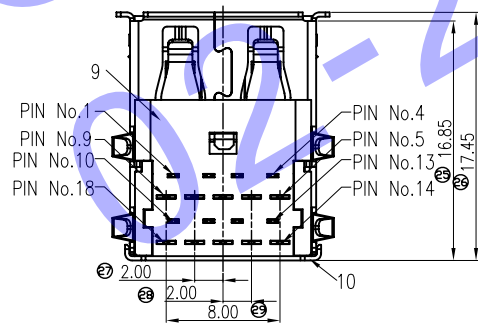
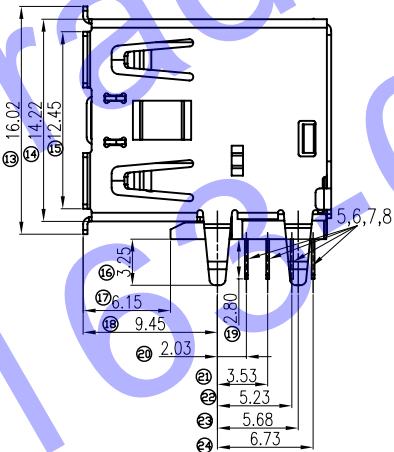
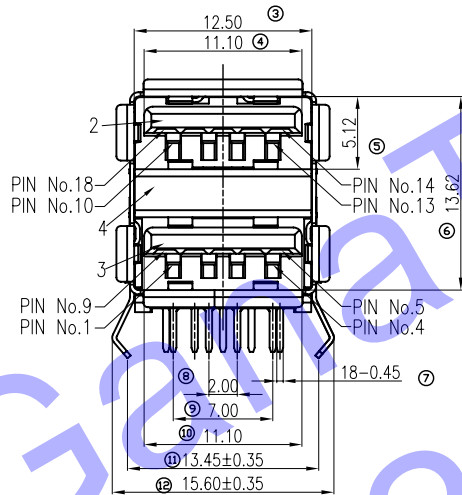


REV.	ECN NO.	DESCRIPTION	DRAW	CHECK	APPD.	DATE
A0	N/A	NEW	XIAOYONG	ANDY.PI	WANGYAO	2011.12.25
A1	ECN1112240049	变更盐雾要求	WANGYAO	ANDY.PI	WANGYAO	2011.12.25
A2	ECN1212270051	修正电气性能描述错误	ANDY.PI	ANDY.PI	Y.X.L	2012.12.27
A3	ECN1301150014	新增规格	WEI	ANDY.PI	Y.X.L	2013.01.15
A4	ECN1304150012	新增规格	WEI			2013.04.15



P.C.B. LAYOUT (COMPONENT SIDE)
DEFAULT TOLERANCE: ±0.05

- NOTES:
- MECHANICAL:
 - MATING: 35N MAX.
 - WITHDRAWAL: 10N MIN.
 - DURABILITY: 1500 CYCLES OF COPPER ALLOY, 5000 CYCLES OF SUS
 - ELECTRICAL:
 - CURRENT: 1.8A Maximum for pin1 and pin4, and 0.25A for all the other pin.
 - VOLTAGE: 30 Vac (rms)
 - WITHSTANDING VOLTAGE: 100V AC
 - CONTACT RESISTANCE:
 - 30 mΩ (Max) initial for pin1 and pin4.
 - 50 mΩ (Max) initial for all other contacts.
 - Maximum change of +10mΩ after environmental stresses.
 - Measure at 20 mV (Max) open circuit at 100 mA.
 - DIELECTRIC WITHSTANDING VOLTAGE: 100V AC(RMS)
 - INSULATION RESISTANCE: 100MΩ MIN.
 - ENVIRONMENTAL
 - TEMPERATURE RANGE -55°C ~ +85°C



DATE CODE:
1 X XX X
产地码 年份码 周别码 流水码
备注:
(1) 产地码: 1—FOR 正源
(2) 年份码: 以公元年末位数表示 (年份取尾码: 如2013为3)
(3) 周别码: 01-52周
(4) 流水码

UNITS	SCALE	REV.	SHEET	H D C 有限公司		
mm	1:1	A4	1 OF 2	TITLE: USB 3.0 AF 90° 双层 DIP		
		DATE: 2011-12-25		MAT'L: SEE TABLE FINISH: SEE TABLE		
GENERAL TOLERANCE		DR. Xiao Yong				
0. ±0.35		CHK. ANDY.PI		DWG.NO. DWG-USB AF-172		SIZE A4
0.0 ±0.35		APPD. YAO.WANG		PART NO. SEE TABLE		
0.00 ±0.20						
0.° ±5°						
0.0° ±3°						

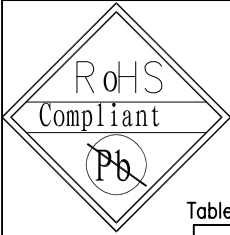


Table:

PRODUCT NO.	ITEM	PART NO.	PART NAME	QTY	Material	
CNA008T2600T-WW A1	1	PS210B8050-WW	SHELL	1	SUS304R-1/2H NI 80U*MIN 48H	
	2	CNA009T26001-WW	5pin long ter. molding	1	PBT+30%GF,BLUE,GOLD 5U" 48H	
	3	CNA010T26001-WW	5pin short ter. molding	1	PBT+30%GF,BLUE,GOLD 5U" 48H	
	4	PS208B8040-WW	中夹片	1	SUS304R-1/2H NI 80U*MIN 48H	
	5	PS126B5080-WW	5pin long ter.	5	C2680R-H,GOLD 5U" 48H	
	6	PS126B5070-WW	5pin short ter.	5	C2680R-H,GOLD 5U" 48H	
	7	PS126B5060-WW	4pin long ter.	4	C5191R-EH,GOLD 5U" 48H	
	8	PS126B5050-WW	4pin short ter.	4	C5191R-EH,GOLD 5U" 48H	
	9	PP107B5860	后塞	1	PBT+30%GF,BLUE	
	10	PS208B8030-WW	后壳	1	SPCC NI 80U*MIN	
CNA008T1600T-WW A1	2	CNA009T16001-WW	5pin long ter. molding	1	PBT+30%GF,BLUE,GOLD 15U" 48H	
	3	CNA010T16001-WW	5pin short ter. molding	1	PBT+30%GF,BLUE,GOLD 15U" 48H	
	5	PS116B5080-WW	5pin long ter.	5	C2680R-H,GOLD 15U" 48H	
	6	PS116B5070-WW	5pin short ter.	5	C2680R-H,GOLD 15U" 48H	
	7	PS116B5060-WW	4pin long ter.	4	C5191R-EH,GOLD 15U" 48H	
	8	PS116B5050-WW	4pin short ter.	4	C5191R-EH,GOLD 15U" 48H	
	CNA008T1300T-WW A1	2	CNA009T13001-WW	5pin long ter. molding	1	PBT+30%GF,BLUE,GOLD 30U" 48H
		3	CNA010T13001-WW	5pin short ter. molding	1	PBT+30%GF,BLUE,GOLD 30U" 48H
5		PS113B5080-WW	5pin long ter.	5	C2680R-H,GOLD 30U" 48H	
6		PS113B5070-WW	5pin short ter.	5	C2680R-H,GOLD 30U" 48H	
7		PS113B5060-WW	4pin long ter.	4	C5191R-EH,GOLD 30U" 48H	
8		PS113B5050-WW	4pin short ter.	4	C5191R-EH,GOLD 30U" 48H	
CNA008T0900T-WW A3		2	CNA009T09001-WW	5pin long ter. molding	1	PBT+30%GF,BLUE,GOLD 1U" 48H
		3	CNA010T09001-WW	5pin short ter. molding	1	PBT+30%GF,BLUE,GOLD 1U" 48H
	5	PS109B5080-WW	5pin long ter.	5	C2680R-H,GOLD 1U" 48H	
	6	PS109B5070-WW	5pin short ter.	5	C2680R-H,GOLD 1U" 48H	
	7	PS109B5060-WW	4pin long ter.	4	C5191R-EH,GOLD 1U" 48H	
	8	PS109B5050-WW	4pin short ter.	4	C5191R-EH,GOLD 1U" 48H	
	CNA008T0901T-WW A4	1	PS208B8050	SHELL	1	SUS304R-1/2H NI 80U*MIN 48H
		2	CNA009T09002-WW	5pin long ter. molding	1	LCP+30%GF,BLUE,GOLD 1U" 48H
3		CNA010T09002-WW	5pin short ter. molding	1	LCP+30%GF,BLUE,GOLD 1U" 48H	
4		PS208B8040-WW	中夹片	1	SUS304R-1/2H NI 80U*MIN 48H	
5		PS109B5080-WW	5pin long ter.	5	C2680R-H,GOLD 1U" 48H	
6		PS109B5070-WW	5pin short ter.	5	C2680R-H,GOLD 1U" 48H	
7		PS109B5060-WW	4pin long ter.	4	C5191R-EH,GOLD 1U" 48H	
8		PS109B5050-WW	4pin short ter.	4	C5191R-EH,GOLD 1U" 48H	
9		PP101B5860	后塞	1	LCP+30%GF,BLUE	
10		PS208B8030-WW	后壳	1	SPCC NI 80U*MIN	
CNA008T1601T-WW A4	2	CNA009T16002-WW	5pin short ter. molding	1	LCP+30%GF,BLUE,GOLD 15U" 48H	
	3	CNA010T16002-WW	5pin long ter. molding	1	LCP+30%GF,BLUE,GOLD 15U" 48H	
	5	PS116B5080-WW	5pin long ter.	5	C2680R-H,GOLD 15U" 48H	
	6	PS116B5070-WW	5pin short ter.	5	C2680R-H,GOLD 15U" 48H	
	7	PS116B5060-WW	4pin long ter.	4	C5191R-EH,GOLD 15U" 48H	
	8	PS116B5050-WW	4pin short ter.	4	C5191R-EH,GOLD 15U" 48H	
	CNA008T1301T-WW A4	2	CNA009T13002-WW	5pin short ter. molding	1	LCP+30%GF,BLUE,GOLD 30U" 48H
		3	CNA010T13002-WW	5pin long ter. molding	1	LCP+30%GF,BLUE,GOLD 30U" 48H
5		PS113B5080-WW	5pin long ter.	5	C2680R-H,GOLD 30U" 48H	
6		PS113B5070-WW	5pin short ter.	5	C2680R-H,GOLD 30U" 48H	
7		PS113B5060-WW	4pin long ter.	4	C5191R-EH,GOLD 30U" 48H	
8		PS113B5050-WW	4pin short ter.	4	C5191R-EH,GOLD 30U" 48H	

REV.	ECN NO.	DESCRIPTION	DRAW	CHECK	APPD.	DATE
A0	N/A	NEW	XIAOYONG	ANDY.PI	WANGYAO	2011.12.25
A1	ECN1112240049	变更盐雾要求	WANGYAO	ANDY.PI	WANGYAO	2011.12.25
A2	ECN1212270051	修正电气性能描述错误	ANDY.PI	ANDY.PI	Y.X.L	2012.12.27
A3	ECN1301150014	新增规格	WEI	ANDY.PI	Y.X.L	2013.01.15
A4	ECN1304150012	新增规格	WEI			2013.04.15

ITEM	PART NO.	PART NAME	QTY	Material
1	PS208B8050	SHELL	1	SUS304R-1/2H NI 80U*MIN 48H
2	CNA009T09001-WW	5pin long ter. molding	1	PBT+30%GF,BLUE,GOLD 1U" 48H
3	CNA010T09001-WW	5pin short ter. molding	1	PBT+30%GF,BLUE,GOLD 1U" 48H
4	PS208B8040-WW	中夹片	1	SUS304R-1/2H NI 80U*MIN 48H
5	PS109B5080-WW	5pin long ter.	5	C2680R-H,GOLD 1U" 48H
6	PS109B5070-WW	5pin short ter.	5	C2680R-H,GOLD 1U" 48H
7	PS109B5060-WW	4pin long ter.	4	C5191R-EH,GOLD 1U" 48H
8	PS109B5050-WW	4pin short ter.	4	C5191R-EH,GOLD 1U" 48H
9	PP107B5860	后塞	1	PBT+30%GF,BLUE
10	PS208B8030-WW	后壳	1	SPCC NI 80U*MIN

UNITS mm	SCALE 1:1	REV. A4	SHEET 2 OF 2	H D C 有限公司		
		DATE 2011-12-25		TITLE: USB 3.0 AF 90° 双层 DIP		
GENERAL TOLERANCE		DR. Xiao Yong		CHK. ANDY.PI		FINISH SEE TABLE
0. ±0.35 0.0 ±0.35 0.00 ±0.20 0.° ±5° 0.0° ±3°		APPD. YAO.WANG		DWG.NO. DWG-USB AF-172		SIZE A4