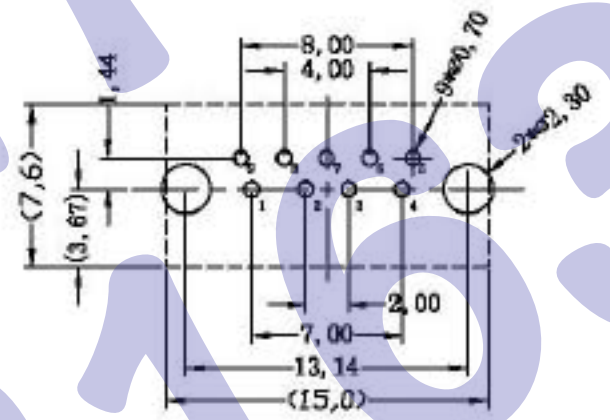
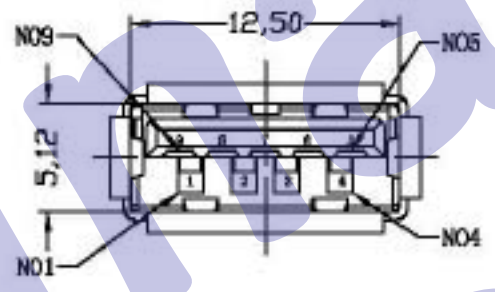
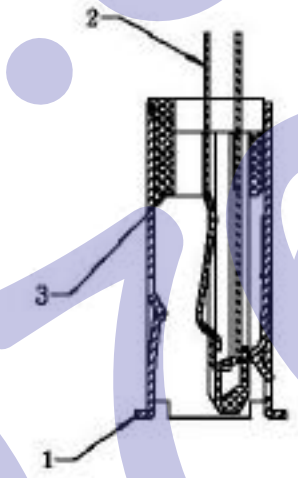
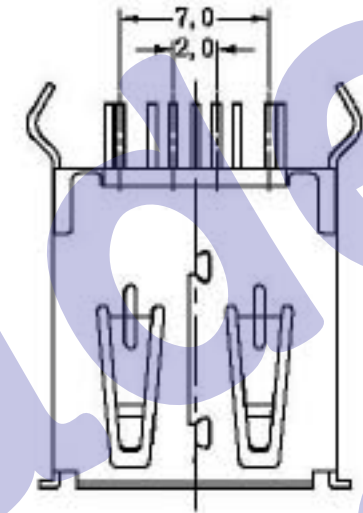
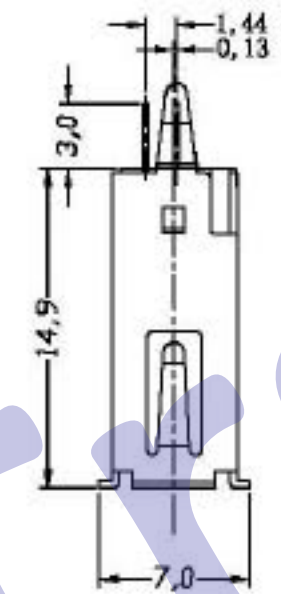
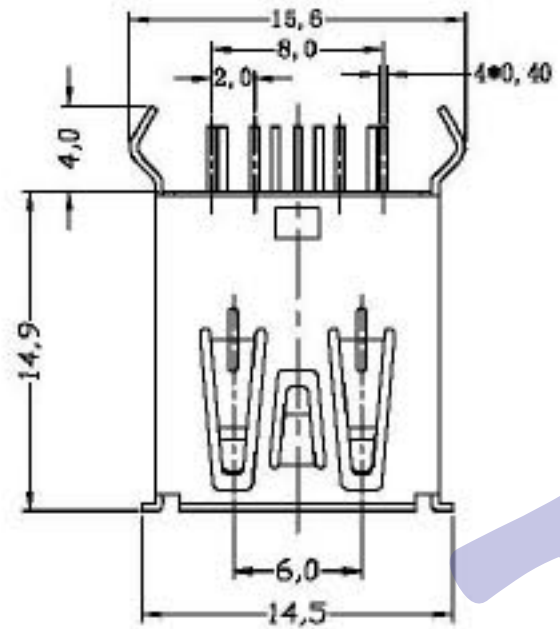




| REV. | ECN NO. | DESCRIPTION | DRAW | CHECK | APPD. | DATE |
|------|---------|-------------|------|-------|-------|------|
| | | | | | | |



P.C.B LAYOUT

SPECIFICATIONS:
 Contact current Rating: 1Amperes.
 DIELECTRIC Withstanding Voltage: AC 500V at sea level
 Insulation resistance: 1000Megohms Minimum.
 Contact Resistance: 30mΩ Max
 operating Temperature: -55° to +85°

MECHANICAL CHARACTERISTICS:
 Mating Force: 3.57kg. Maximum
 Unmating Force: 1.02kg. Minimum

| | | | | | | | |
|---|--------------|------------|-----------------|------------|---------|---|----------------------|
| UNITS mm | SCALE 1:1 | REV. A0 | SHEET 1 OF 1 | HDC 有限公司 | | | |
| DATE 2010-03-25 | | | | | | | TITLE: GUSB-L3027 |
| GENERAL TOLERANCE 0. ±0.35 0.0 ±0.35 0.00 ±0.25 0.° ±5° 0.0° ±3° | | | | DR. XDM | MAT'L | | FINISH |
| | | | | CHK. | DWG.NO. | A | PART NO. |
| APPD. YEYANBIN | | | | A | | | |