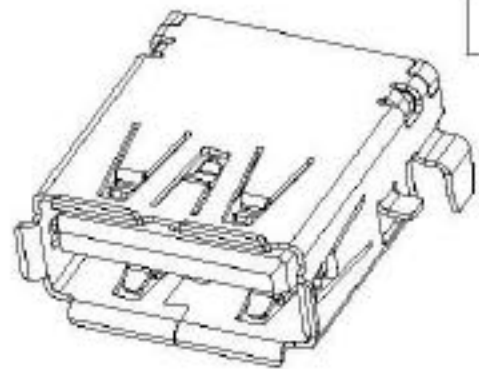
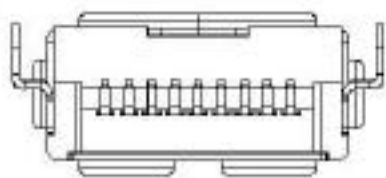


REV.	ECN NO.	DESCRIPTION	DRAW	CHECK	APPD.	DATE



NOTE:

1. MATERIAL:

- 1.1 INSULATOR: PA9T UL 94V-0
- 1.2 CONTACT: BRASS (T=0.25mm)
- 1.3 SHELL: SPCC (T=0.30mm)

2. ELECTRICAL CHARACTERISTICS:

- 2.1 CONTACT RESISTANCE: 30mΩ MAXIMUM
- 2.2 CONTACT CURRENT RATING: 1.5A
- 2.3 DIELECTRIC WITHSTANDING VOLTAGE: 500 V R.M.S
- 2.4 INSULATION RESISTANCE 1000 MEGOHMS MIN
- 2.5 OPERATING TEMPERATURE: -40° C ~ 85° C

3. MECHANICAL CHARACTERISTICS:

- 3.1 MATING FORCE: 3.57kg MAX
- 3.2 UNMATED FORCE: 1.02kg MIN
- 3.3 DURABILITY: MANDATORY: 5,000 CYCLES

4. PLATING

- 4.1 TERMINAL: GOLD FLASH ALL OVER 50u" MIN NICKEL AND 1u" MIN Tin ALL OVER 50u" MIN NICKEL ON SOLDER AREA
- 4.2 SHELL: 150u" MIN. NICKEL OVER 20" MIN COPPER

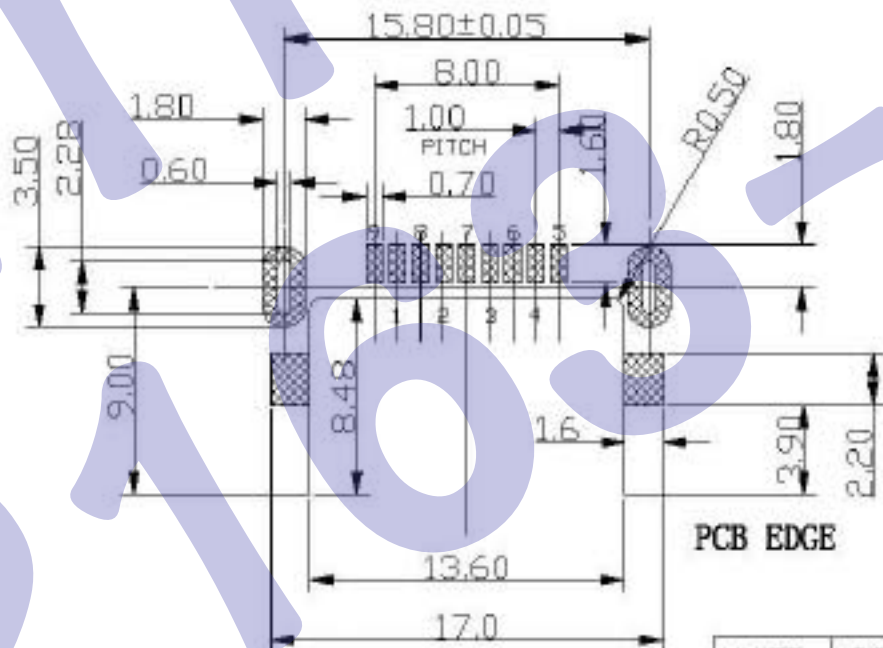
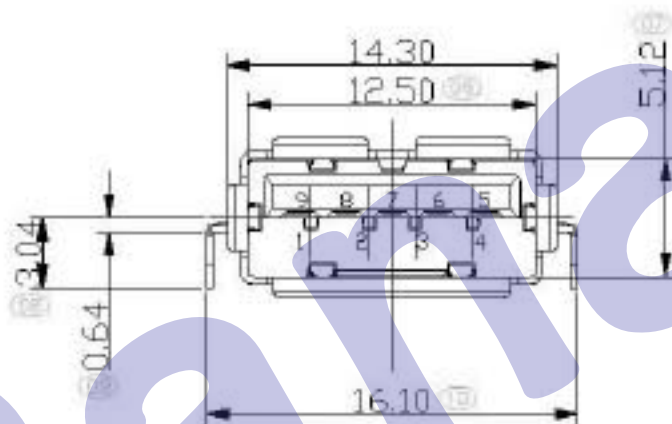
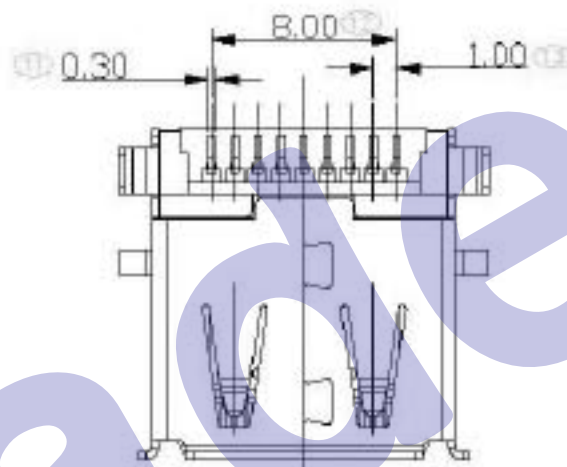
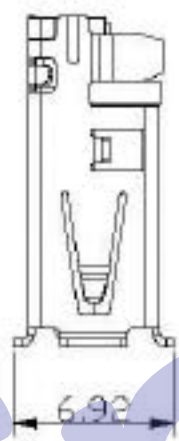
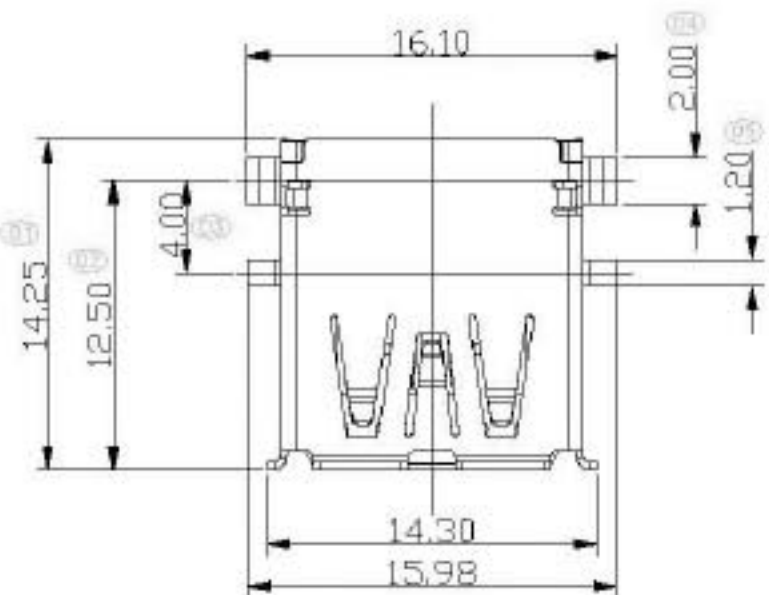
5. PART NO

9 3 2 - * 9 * 5 - * 9 *

SHELL & PLATING CODE
 0: COPPER, NICKEL PLATING
 1: SPCC, NICKEL PLATING

RESIN & COLOR CODE
 0: PA9T, BLUE COLOR
 1: PA9T, BLACK COLOR
 2: PA9T, RED COLOR

PACKAGING CODE
 1: TRAY PACKAGING
 2: TAPE REEL PACKAGING
 3: PE BAG PACKAGING
 4: TUBE PACKAGING
 RoHS Compliant & Lead Free
 TERMINAL CONTACT PLATING CODE
 1: GOLD FLASH
 2: 3u" GOLD
 3: 5u" GOLD
 4: 10 u" GOLD
 5: 15u" GOLD
 6: 30u" GOLD



RECOMMENDED PCBA LAYOUT

Pin NUMBER	SIGNAL NAME
1	VBUS
2	D-
3	D+
4	GND
5	StdA_SSRX-
6	StdA_SSRX+
7	GND_DRAIN
8	StdA_SSTX-
9	StdA_SSTX+
Shell	Shield

UNITS mm	SCALE 1:1	REV.	SHEET
		DATE 2010-4-20	TITLE:
GENERAL TOLERANCE		DR. xiaodongmei	MAT'L SEE TABLE
0. ±0.35 0.0 ±0.35 0.00 ±0.25 0.° ±5° 0.0° ±3°		CHK.	
		APPD. DAVID	DWG.NO.

HDC 有限公司

GUSB-L3029

PART NO. SEE PART NO. SIZE A4

1

2

3

4

5

6