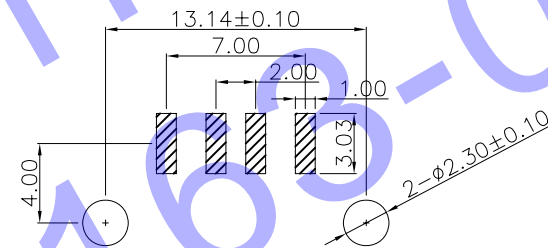
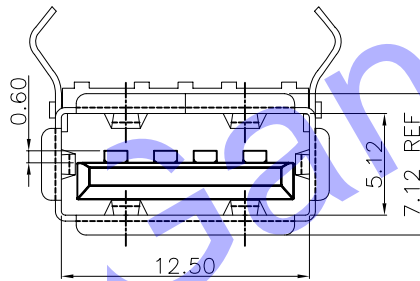
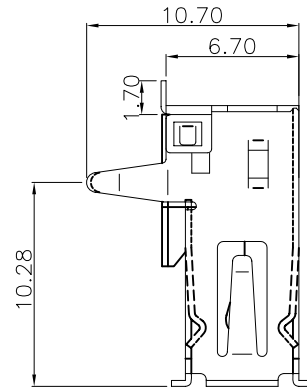
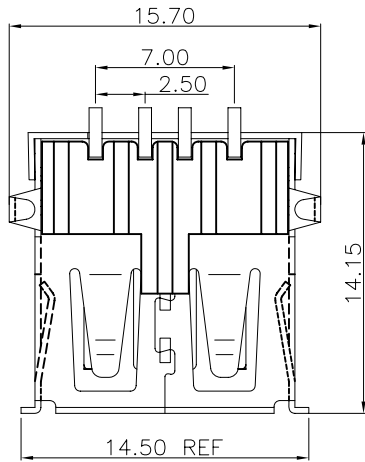


REV.	ECN NO.	DESCRIPTION	DRAW	CHECK	APPD.	DATE
A1	ECN0804220026	变更料号TABLE	ROSE			08.04.22

- 备注 (NOTE):
1. 材料: 参见表格.
 2. 表面处理: 参见表格.
 3. 标注尺寸注意事项
3-1. 图面未标示之公差以公差表为准.
 4. 产品外观注意事项
4-1. 产品表面不可出现油污, 压痕, 划伤, 发黑, 发白及显露底材等现象.
 5. 测试要求
5-1. 机械特性:
插入力: 35 MAX; 拔出力: 10N MIN
插拔耐久: 1500 个周期 MIN
5-2. 电气特性:
电流: 1.5安培 MAX; 电压: 30伏特 MAX
绝缘耐压: 500伏 交流电
接触阻抗: 30毫欧姆 MAX
绝缘阻抗: 1000毫欧姆 MIN
5-3. 环境特性:
温升测试: -55° ~ +85°



RECOMMENDED P. C. B. PATTERN LAYOUT

Table:

PRODUCT NO.	ITEM	PART NO.	PART NAME	Q'TY	Material
CN012D020T	1	PS208B0100	SHELL	1	C2680R-H, NI 80U" MIN
	2	PS102B0090	CONTACT	4	C5191R-EH, GOLD FLASH
	3	PP107B0090	HOUSING	1	PBT+30%GF, BLACK
CN012D030T	2	PS103B0090	CONTACT	4	C5191R-EH, GOLD 30U"
CN012D021T	3	PP107B0091	HOUSING	1	PBT+30%GF, WHITE
CN012D031T	2	PS103B0090	CONTACT	4	C5191R-EH, GOLD 30U"
	3	PP107B0091	HOUSING	1	PBT+30%GF, WHITE
CN012S022T	2	PS102B0090	CONTACT	4	C5191R-EH, GOLD FLASH
CN012S032T	3	PP101B0091	HOUSING	1	LCP+30%GF, NATURE
	2	PS103B0090	CONTACT	4	C5191R-EH, GOLD 30U"
CN012S062T	2	PS106B0090	CONTACT	4	C5191R-EH, GOLD 15U"
	3	PP101B0091	HOUSING	1	LCP+30%GF, NATURE
CN012S072T	2	PS107B0090	CONTACT	4	C5191R-EH, GOLD 3U"
	3	PP101B0091	HOUSING	1	LCP+30%GF, NATURE
CN012S023T	1	PS208B0101	SHELL	1	SPCC, NI 80U" MIN
	2	PS102B0090	CONTACT	4	C5191R-EH, GOLD FLASH
	3	PP103B0090	HOUSING	1	PA6T+30%GF, BLACK

UNITS	SCALE	REV.	SHEET	TITLE				
mm	1:1	A1	1 OF 1	CN012 USB A TYPE FEMALE SMT				
		DATE	2007-03-29	DR. maoshanyong				
GENERAL TOLERANCE 0. ±0.30 0.0 ±0.20 0.00 ±0.15 0.° ±4° 0.0° ±2°		CHK.	—	MAT'L	SEE TABLE	FINISH	SEE TABLE	
		APPD.	CARSON	DWG.NO.	DWG-USB AF-006	A	PART NO. SEE TABLE	SIZE A4