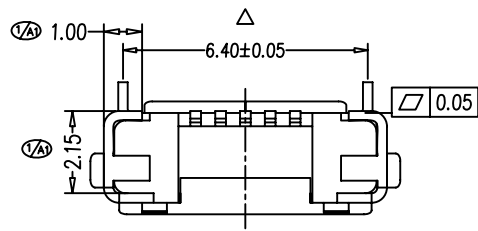
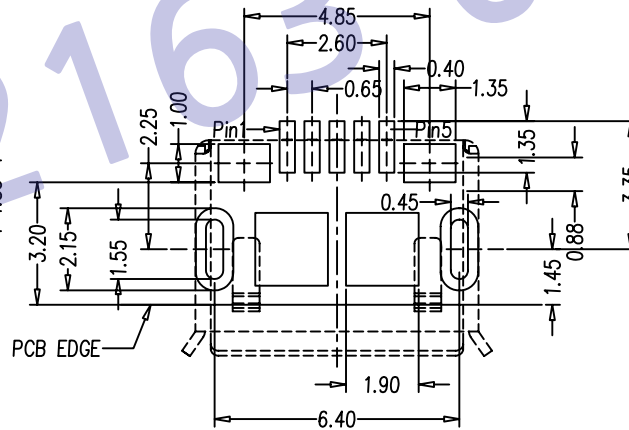
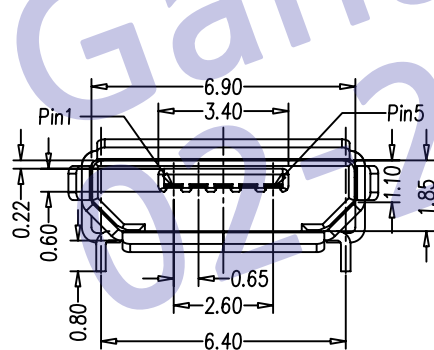
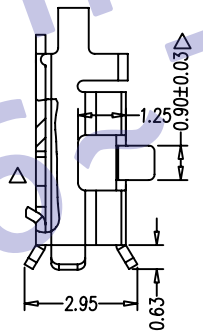
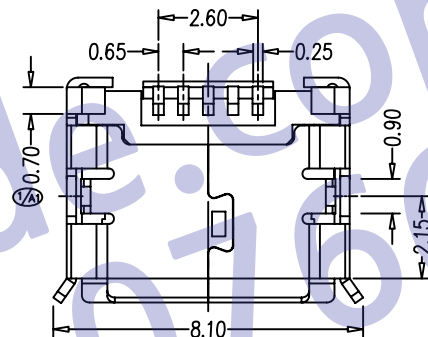
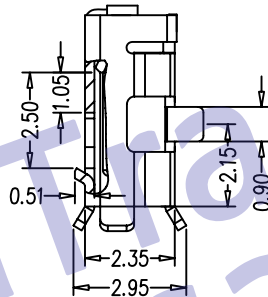
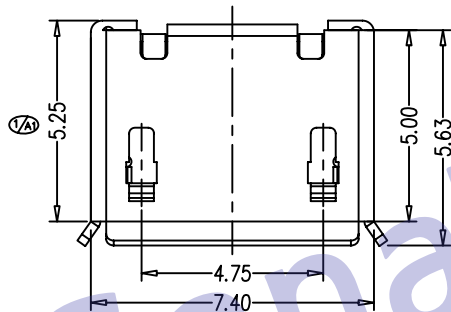
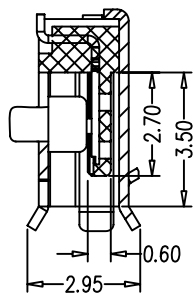


MU027-



颜色 (主体)		材质 (主体)		外壳镀层		端子镀层 (接合处)	
1: 黑色	6: 绿色	1: PBT	2: LCP	1: 全金	6: 前镍后锡	1: 1U"	6: 30U"
2: 白色	7: 红色	3: NL9T	4: NL6T	2: 全镍	0: 其它	2: 3U"	0: 其它
3: 贝吉色	0: 其它	5: ABS	6: NL66	3: 全锡		3: 5U"	
4: 灰色		7: PPS	8: PVC	4: 前金后锡		4: 10U"	
5: 蓝色		9: PE		5: 前金后镍		5: 15U"	
		0: 其它					



RECOMMENDED PCB LAYOUT

Note:

- Material:
 - Housing: High temperature thermoplastic with g.f, UL94v-0
 - Contact: copper alloy, t=0.20mm
 - Shell: copper alloy, t=0.25mm
- Specification:
 - Current rating: 1 A Max.
 - Dielectric withstanding voltage: 100 V(ac) for 1 min.
 - Contact resistance: 50 mΩ Max.
 - Insulation resistance: 100 MΩ Min.
 - Total mating force: 3.57 Kgf Max.
 - Total unmating force: 1.0 Kgf Min. 0.81~2.05 Kgf Min. after 10000 insertion/extraction cycles
 - Temperature range: -30°C~80°C

设计 DRAW BY	杨帆	审核 DISCUSS BY		图名 DRAWING NO	MICRO USB B TYPE 前插后贴6.4间距			图号 SHEET NO	027	日期 DATE	2009.3.16
校对 DISCUSS BY		比例 SCALE	2:1	客户 VERSION	数量 QUAN		备注 REMARK	版次 REMARK		张号 SHEET	1/1

A

A

B

D

6

5

4

3

2

1