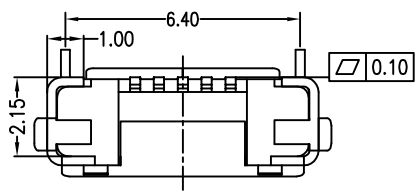
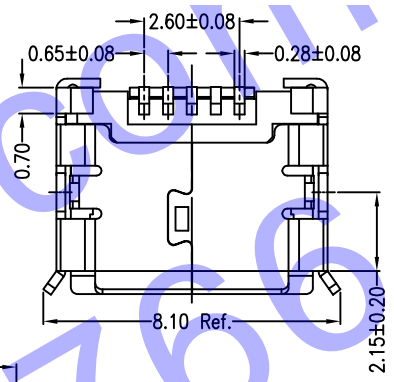
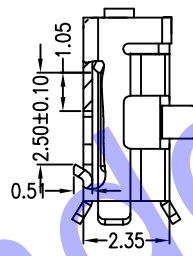
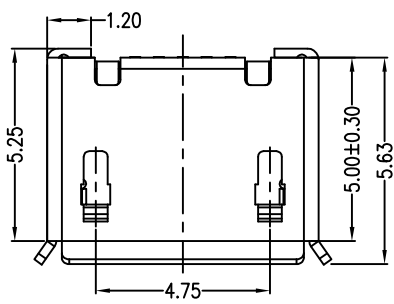
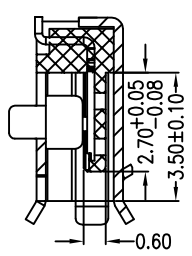


REV.	ECN NO	LOCATIONS	DESCRIPTION	DATE

A

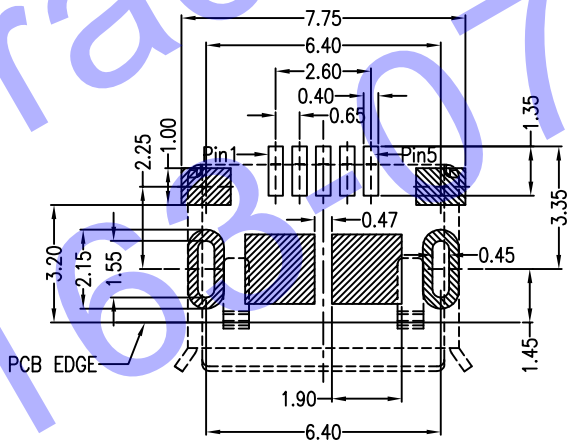
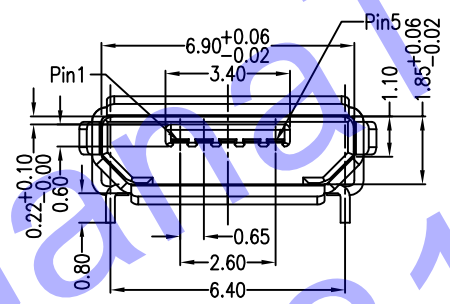


B



C

D



Note:

1.Material:

- 1.1 Housing: High temperature thermoplastic with g.f,UL94v-0
- 1.2 Contact: copper alloy,t=0.20mm
- 1.3 Shell: copper alloy,t=0.25mm

2.Specification:

- 2.1 Current rating:1,5PIN 1.8A Max/2,3,4PIN 1A Max.
- 2.2 Dielectric withstanding voltage: 100 V(ac) for 1 min.
- 2.3 Contact resistance: 30 mΩ Max.
- 2.4 Insulation resistance: 100 MΩ Min.
- 2.5 Total mating force: 3.57 Kgf Max.
- 2.6 Total unmating force: 1.0 Kgf Min.
- 2.7 Temperature range: -30°C~80°C

E

F

A 01 S B X X X X X X X X-140

① ② ③ ④ ⑤ ⑥ ⑦ ⑧ ⑨ ⑩ ⑪

外壳材质
1: C2680R-H
7: SUS304R-1/2H
外壳电镀
1: N50u''
2: 雾T50u''
3: N+Au1u'' (脚)
4: Au1u''

端子电镀 01: Au1u'' ; 02: Au1.5u'' ; 03: Au3u''
05: Au5u'' ; 10: Au10u'' ; 15: Au15u'' ; 30: Au30u''
主体颜色 B: 黑色
主体材质 1: LCP
端子材质 4: 05191R-EH

RECOMMENDED PCB LAYOUT
PCB图仅供参考

PART NO: A01SBXXXXXXX-140		MATERIAL: SEE NOTE
MODEL NO: XX		FINISH: SEE NOTE
UNIT: MM	SIZE: A4	COLOR: SEE NOTE
TOLERANCE UNSPECIFIED		DR: xiayouhong
.x	±0.15	CHK:
.xx	±0.10	APP:
.xxx	±0.05	
Ang.	±1°	

H D C 有限公司		
TITLE: MICRO USB 5S B TYPE		
DWG NO: A140	REV: A	
SCALE: 5:1	DATE: 2012.06.06	

1 2 3 4 5 6 7 8