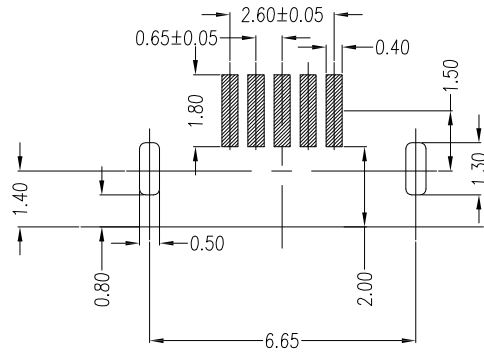
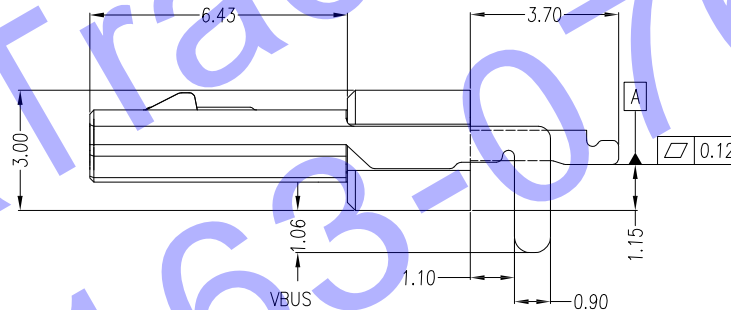
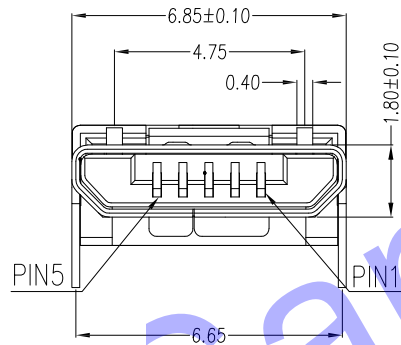
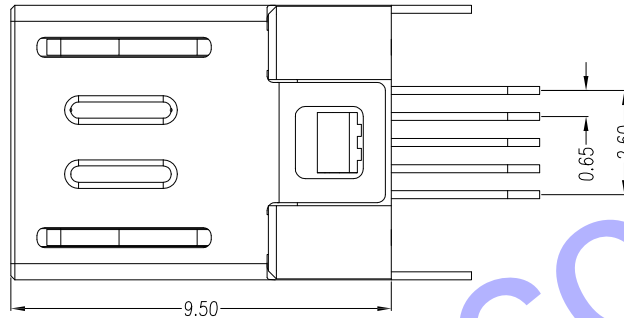


RoHS COMPLIANT



Recommended P.C.B Layout  
TOLERANCE±0.05



**1.Material:**

Shell : SUS 301 R-1/4H  
Insulator: SEE TABLE+30% G.F. UL 94V-0  
hook : SUS 301 R-EH  
Contacts: C5191 R-EH

**2.Mechanical:**

Mating Force: 35N max.  
Withdrawal Force: 8N min,initial.  
Durability: 10000 cycles min.

**3.Electrical:**

Current-max[amps]: 1.0A  
Voltage-max[volts]: 30V  
Withstanding Voltage: 100V AC  
Contact Resistance [ohms]: 30 milliohms max  
Insulation Resistance [ohms]: 100 Megohms min

**4.Plating:**

Contacts: Gold 1u" And Tin Over Nickel Plated

Shell: Nickel over all plating

**5.Environmental**

Temperature Range: -30°C~+80°C

PART NO.

112-05MA XX UN A

Contact Plating  
S0=Gold Flash/Tin  
S1=3u"Gold/Tin  
S2=5u"Gold/Tin  
S3=10u"Gold/Tin  
S4=15u"Gold/Tin  
S5=30u"Gold/Tin

Plating Packing:  
B=Black A=Tray  
W=White

CONTACT NUMBER	SIGNAL NAME
PIN 1	
PIN 2	D-
PIN 3	D+
PIN 4	ID
PIN 5	GND

REV	DESCRIPTION	DATE	QUALITY SYMBOLS	UNIT	SCALE	TOLERANCES	ITEM	DESC	Q'TY	MATERIAL	REMAKS	PART REMAKS
A	图面发行	09'-10-23	■: CRITICAL ▽: ZERO DEFECT ☒: MAJOR ▽: S.P.C	mm	3:1	DIM. ±0.30 ANGLE: 3°	APPROVED	CHECKED	DESIGN	DRAWN	112-05MAXXUNA	SHT 1/1
											MICRO USB B TYPE SMT公头	
											MB-A12	REV A

H D C 有限公司

【客户用图】