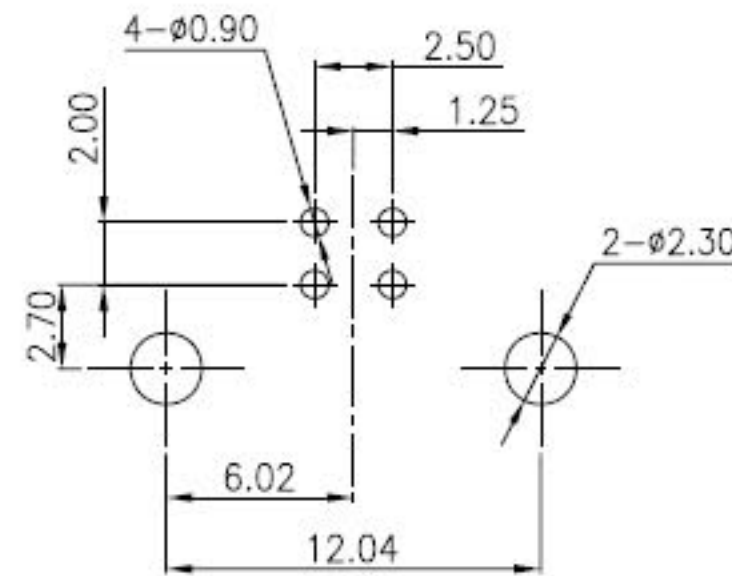
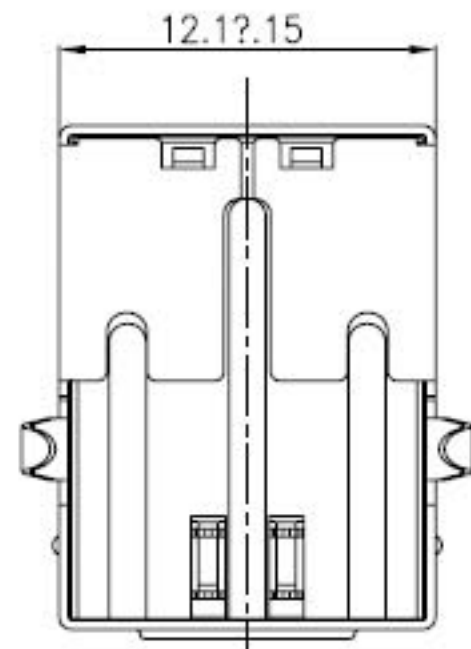
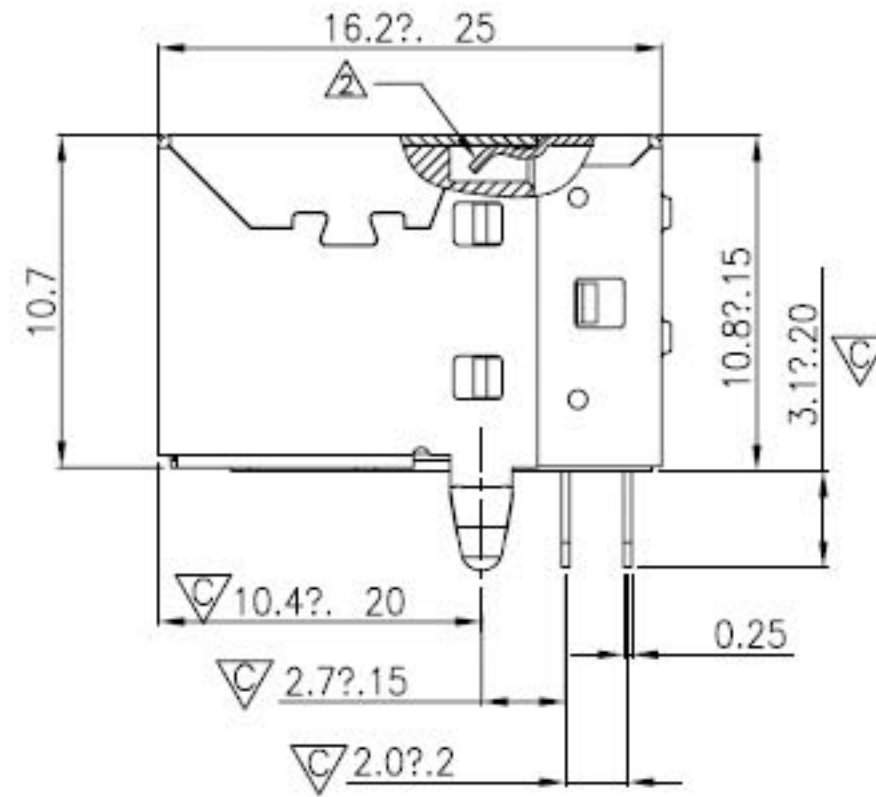
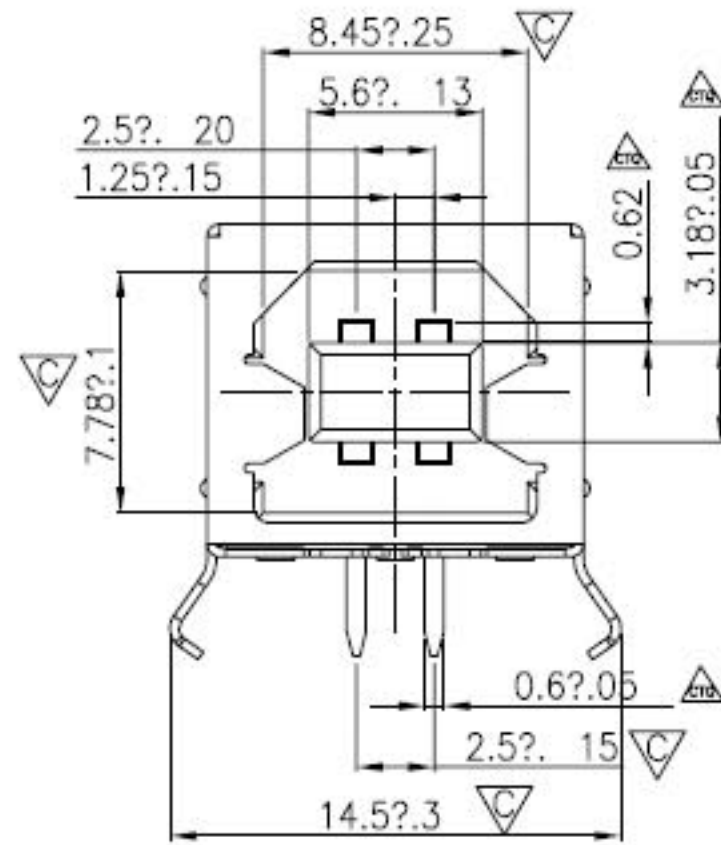
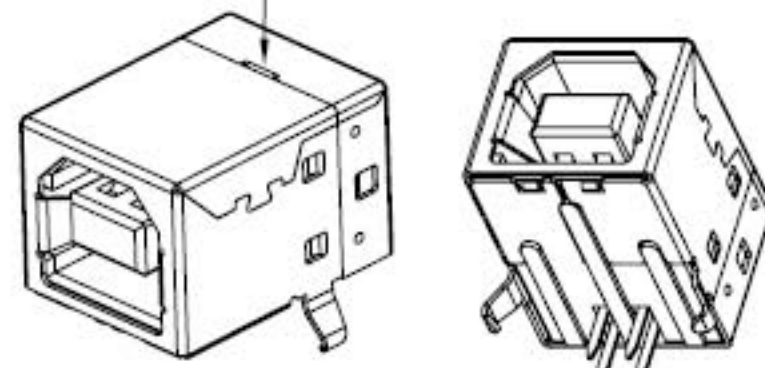


RoHS Compliant

REV.	ECN NO	LTR	DESCRIPTION	REVISER	DATE
A/1		▲	Add critical marks as Customer's print.	Mac	03/30'13
A/2		▲	?????????	Jerry	03/13'17



Recommended PCB. Layout



3D VIEWS

1.MATERIAL:

INSULATOR: PBT+30% GLASS FIBER UL94V-0, COLOR:OPTIONAL
 TERMINAL: PHOSPHOR BRONZE
 GOLD ON CONTACT AREA AND TIN ON SOLDER TAIL
 NICKEL PLATING ON BASE.
 SHELL: BRASS NICKEL OR TIN PLATING ON SURFACE.

2.ELECTRICAL:

INSULATOR RESISTANCE: 1000MEGOHMS MIN. 500V DC.
 DIELECTRIC WITHSTANDING VOLTAGE: 500V AC R.M.S
 VOLTAGE TATING: 40V AC (RMS) CONTINUOUS MAX.
 CURRENT RATING: 1.5A MIN.
 CONTGACT RESISTANCE: 30 MILLIOHMS MAX.

3.ENVIRONMENTAL

TEMPERATURE RANGE:-55°C TO + 85°C.

4.MECHANICAL

MATING FORCE:3.57Kgf MAX.
 UNMATING FORCE:1.02~3.57 Kgf

5.ROHS COMPLIANT.

6.How to order:

图号 (DWG NO)	004	单位 (UNIT): MM	<h1>HDC 有限公司</h1>	
模号 (MODEL NO)		比例 (SCALE) 1:1		
版次 (REV): A/2	页次 (PAGE): 1/1	☉ ☐		
设计 (DESIGN)	Y.A.N.S	未注公差 TOLERANCE UNSPECIFIED	品名 (ITEM NO)	USB B/F 90度 DIP DIP=3.10mm
审核 (CHECKED)		X.X ± 0.38	料号 (PART NO)	GUSB-A-23
核准 (APPROVED)		X.XX ± 0.20 X.XXX ± 0.10 X' ± 5' X.X' ± 2'		