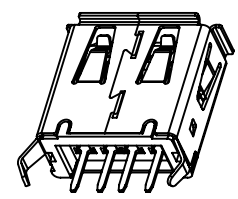
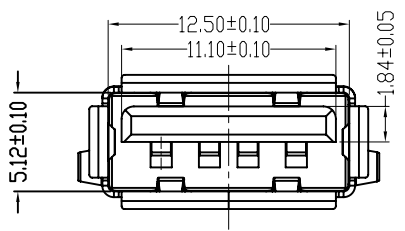
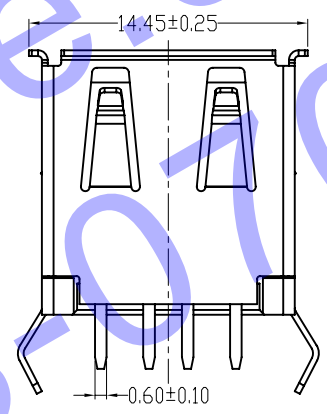
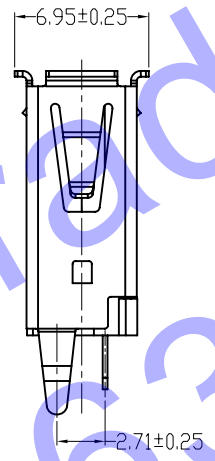
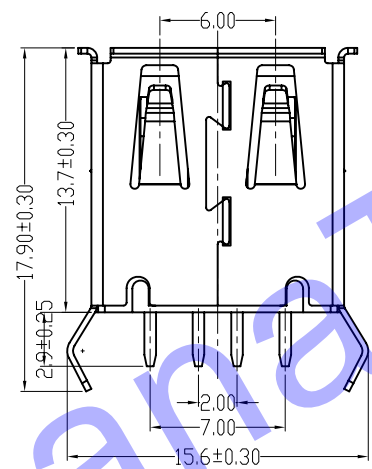


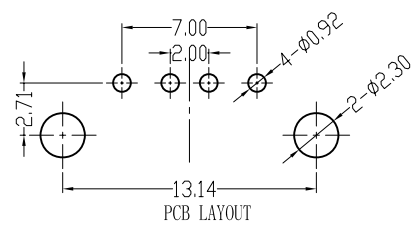
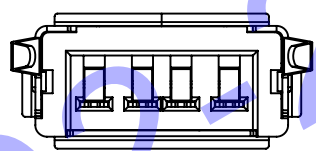
UA(012-008)-□ □ □ □



- | | | |
|---------|---------|---------|
| 颜色 (主体) | 材质 (主体) | 外壳镀层 |
| 1: 黑色 | 1: PBT | 1: 全金 |
| 2: 白色 | 2: LCP | 2: 全镍 |
| 3: 贝吉色 | 3: NL9T | 3: 全锡 |
| 4: 灰色 | 4: NL6T | 4: 前金后锡 |
| 5: 蓝色 | 5: ABS | 5: 前金后镍 |
| 6: 绿色 | 6: NL6T | 6: 前镍后锡 |
| 7: 红色 | 7: PPS | 0: 其它 |
| 0: 其它 | 8: PVC | |
| | 9: PE | |
| | 0: 其它 | |



- NOTES:
- MATERIAL SPECIFICATION:
 - INSULATION MATERIAL: THERMOPLASTIC
 - SHELL: COPPER ALLOY & SPCC-SD T: 0.30mm
PLATING: NICKEL
 - TERMINAL: COPPER ALLOY T: 0.25mm
PLATING: GOLD/TIN PLATED;
 - ELECTRICAL CHARACTERISTIC:
 - INSULATION RESISTANCE: 1000MΩ MIN;
 - CONTACT RESISTANCE: 30mΩ MAX;
 - WITHSTANDING VOLTAGE: 500V AC;
 - MECHANICAL CHARACTERISTICS:
 - INSERTION FORCE: 3.57Kgf Max;
 - EXTRACTION FORCE: 1.02Kgf Min;



设计 DRAW BY	杨帆	审核 DISCUSS BY		H D C 有 限 公 司	图名 DRAWING NO	USB AF 180dip 13.7全包	料号 SHEET NO	UA(012-008)	日期 DATE	2010.05.18	
校对 DISCUSS BY		比例 SCALE	2:1		备注 VERSION		备注 REMARK		版次 REMARK		张数 SHEET