

规格说明: Specifications:
 电气特性: Electrical:

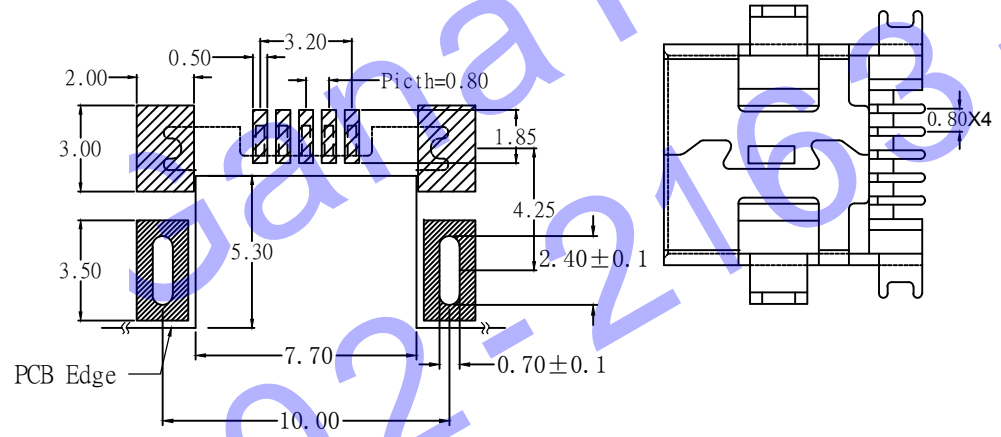
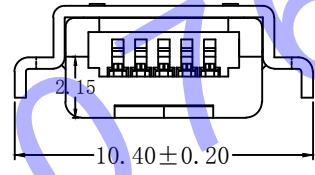
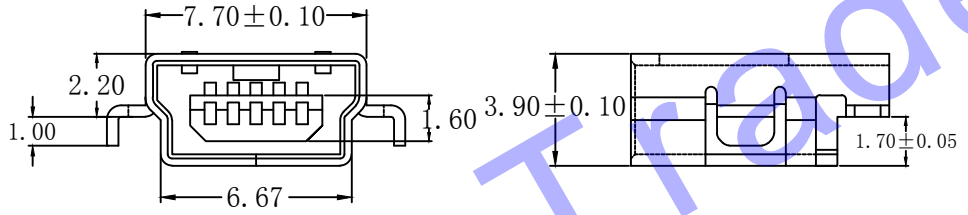
1. 额定电流: Current Rating
1.0A/contact terminal
2. 额定电压: Voltage Rating
30V DC
3. 接触阻抗: Contact Resistance
50 milliohms MAX
4. 耐电压: Dielectric Withstanding Voltage:
300 V AC AT Sea Level
5. 绝缘阻抗: Insulation Resistance:
100MEGA ohms MIN

原材料: Raw material:

1. 塑胶: Plastic cement:
Hing Temperature Thermoplastics,
LCP Black
2. 端子: Contact: Copper Alloy C5191
3. 外壳: Shell: Copper Alloy C2680

电镀: Electroplate:

1. 端子: Contact: Plated Gold in Mating Area;
Tin On Solder Talls
2. 外壳: Shell:
Nickel Plating



P.C.B LAYOUT

UNITS mm	SCALE 1:1	REV. B3	SHEET 1 OF 1	深圳市HDC电子有限公司	
		DATE 2011.08.25	TITLE MINI USB 5PF 沉板B型前插后贴		
GENERAL TOLERANCE		DR. Andy.Pi	MAT'L		FINISH
0. ±0.30		CHK. Andy.Pi	APPD. chenjiangnan		DWG.NO. MN081
0.0 ±0.20					
0.00 ±0.10		A		PART NO. /	
0.* ±4*					
0.0* ±2*					