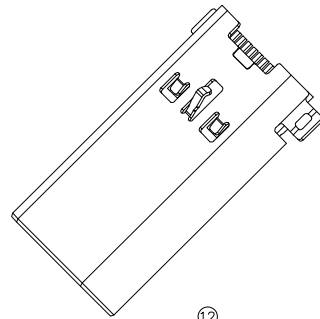
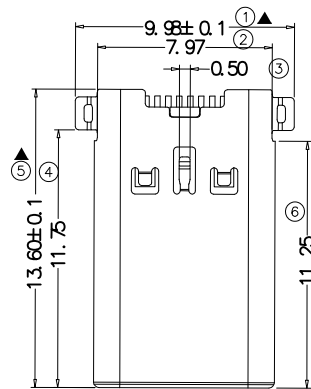
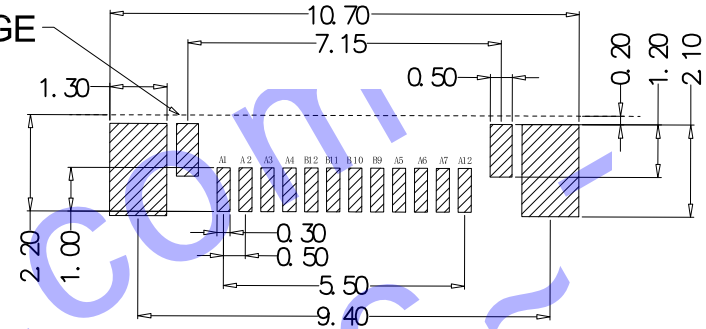


RoHS

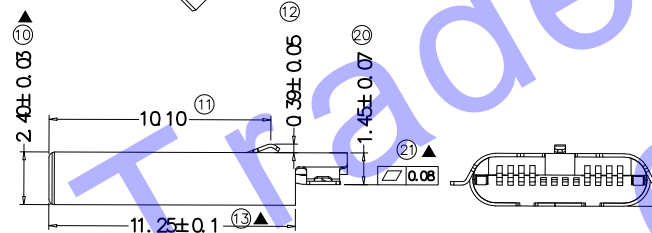
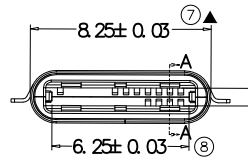
MAPX	MODIFICATION	DATE
A0	NEW	09-10-20



PCB EDGE



PCB LAYOUT (SCALE 2/1)



NOTES:

1.MATERIAL:SEE NOTES 1

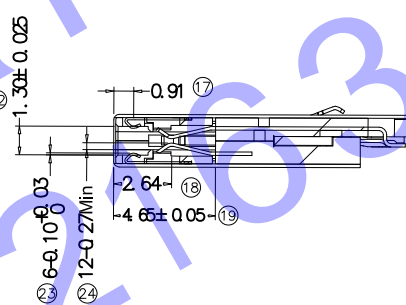
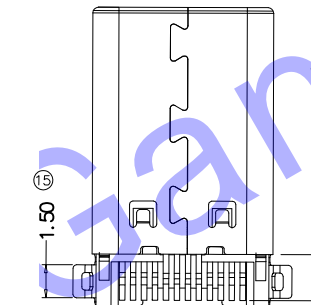
2.FINISH:

- 2.1 CONTACT: GOLD PLATING ON CONTACT AREA, MATTE TIN PLATING ON SOLDER TAIL AREA, NICKEL UNDER PLATING.
- 2.2 SHELL: SOLDERABILITY NICKEL PLATING OVER ALL

SPEC:

Insertion Force Within the range from 5 N to 20 N
 Extraction Force Within the range 8 N to 20 N, from 1 to 1,000 cycles and
 Within the range 6 N to 20 N, from 1,000 to 10,000 cycles

3.标"▲"为重点管控尺寸



06	TYPE-C 12P N EM 焊片	SUS304-H	2PCS	产品表面清洗	
05	TYPE-C 12P N SMT 铁壳	SUS304-3/4H	1PCS	产品表面镀可焊锡50U"以上	
04	TYPE-C 12P N SMT 卡扣	SUS304-H	1PCS	产品表面镀可焊锡50U"以上	
03	TYPE-C 12P N EM 主体	LCP, EM 焊片	1SET	本色	
02	TYPE-C 12P N SMT 4P 主体	LCP, 4P N 端子	1SET	LCP 本色, 端子打镍底50U"以上, 后端镀锡120U"以上, 前端选择性镀金 G/F	
01	TYPE-C 12P N SMT 8P N 主体	LCP, 8P N 端子	1SET		
NO	PART NAME	MATER AL	Q TY	PLATI NG/COL OR	P.N

产品图 PRODUCT CHART DWG		H D C 有限公司					
公差一览表 TOLERANCE UNLESS OTHERWISE		单位 UNITS	MM	制图 DRAWING	产品料号 PRODUCT PART NO.		
X	±0.30	X'	±5'	比例 SCALE	审核 CHKD	YANG	产品名称 PRODUCT NO.
.X	±0.25	.X'	±2'				
.XX	±0.30	.XX'	±1'	日期 DATE	核准 APPD	YANG	角法 VIEW
.XXX	±0.15	.XXX'	±0.5'				
		2009/10/20		版本 VER	A0		