

# HSF

## Specification

1. Current Rating: 1.5AMP
2. Contact Resistance: 30mΩ max
3. Insulation Resistance: 1000MΩ min
4. Dielectric Withstanding Voltage: 500V R.M.S
5. Temperature Rating: -40℃ to +85℃

## Mechanical Characteristics:

6. Mating Force: 3.57kg.min
7. Mating Force: 1.02kg.min
8. Durability: Mandatory: 5000 Cycles

Contact: Phosphor Bronze(T=0.20mm)

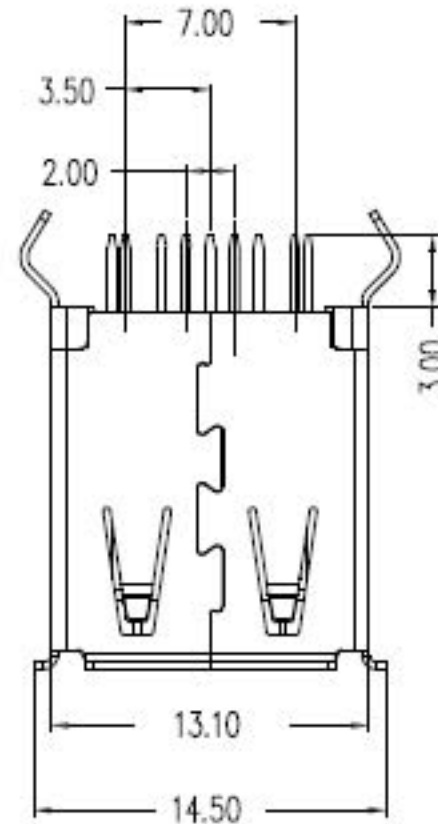
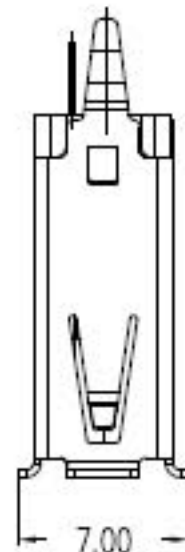
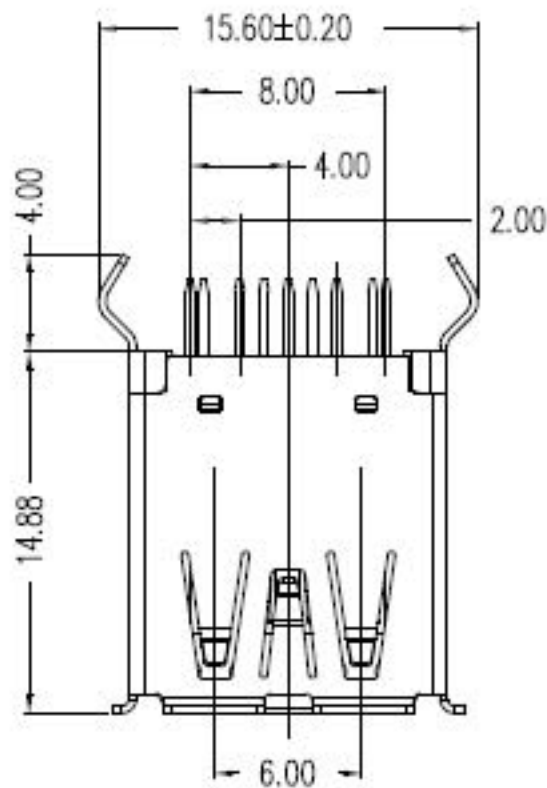
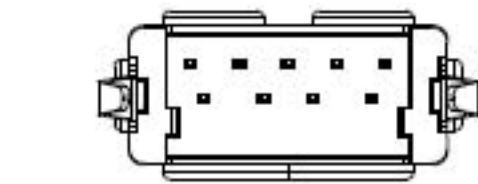
Insulator: LCP+30%GF(UL94V-0)

Shell: Brass(T=0.30mm)

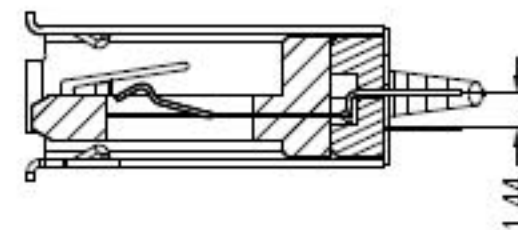
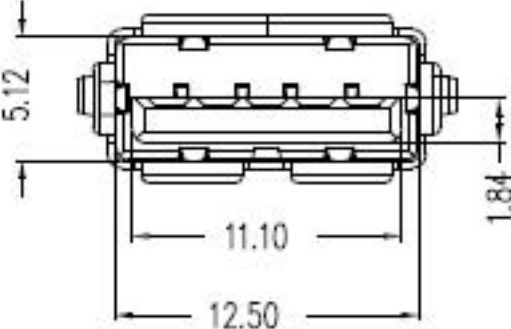
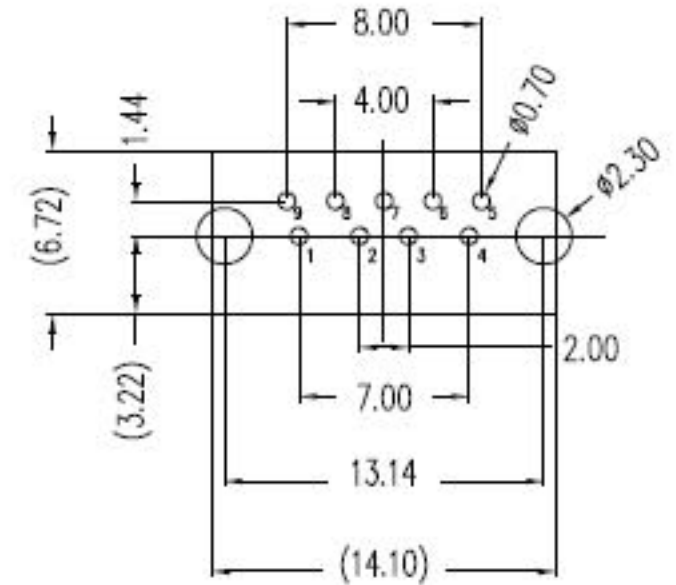
## Ordering Information

112-09 AFS D XX UN A 1

**Contact Plating**  
 S0=Gold Flash/Tin  
 S1=3u"Gold/Tin  
 S2=5u"Gold/Tin  
 S3=10u"Gold/Tin  
 S4=15u"Gold/Tin  
 S5=30u"Gold/Tin  
**Plating**  
 B=Black  
 W=White  
 U=Blue  
 R=Red  
**Peeling:**  
 A=Tray  
**Series No.**



Recommended P.C.B Layout(Top Side)  
(PCB BOARD TOLERANCE±0.05)



REV		DATE	MODIFICATION DESCRIPTION	CHANGE	OPERATION	DRAW	DATE	SCALE	FIT	PART NO.
A0	2012/06/29		NEW		X.X ±0.40	JYHuang	2012/06/29	UNIT	mm	GUSB-112-09AFSDXXXNA1
					X.XX ±0.25		DATE	SIZE	A4	TITLE:
					X.XXX ±0.15		DATE	SHEET	1/1	USB3.0A-TYPE FEMALE 180°
					Angle ± 3°		DATE	PROJ	Customer NO.	14.88mm长 弯脚DIP
					DIM TOL					

# HDC 有限公司