

# HSF

## Specification

- 1.Current Rating:1.5AMP
- 2.Contact Resistance:30mΩ max
- 3.Insulation Resistance:1000MΩ min
- 4.Dielectric Withstanding Voltage:500V R.M.S
- 5.Temperature Rating:-40℃ to +85℃

## Mechanical Characteristics:

- 6.Mating Force:3.57kg.min
- 7.Mating Force:1.02kg.min
- 8.Durability:Mandatory:5000 Cycles

Contact: Copper(T=0.20mm)

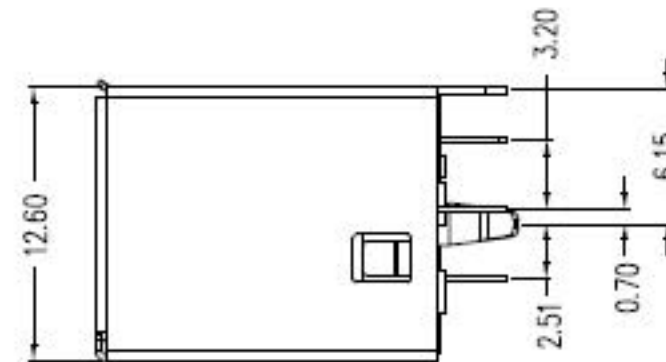
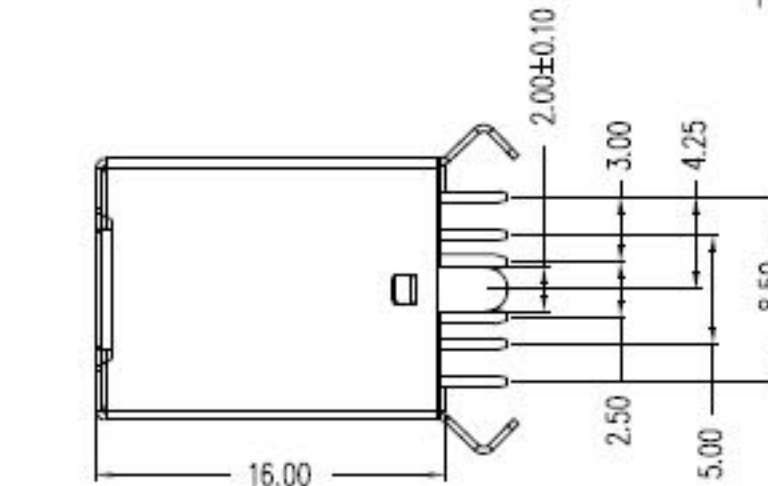
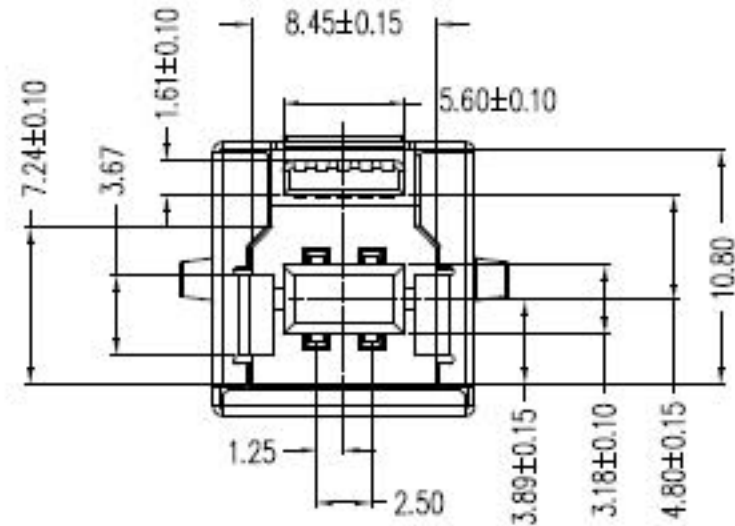
Insulator:LCP+30%GF(UL94V-0)

Shell: Brass(T=0.30mm)

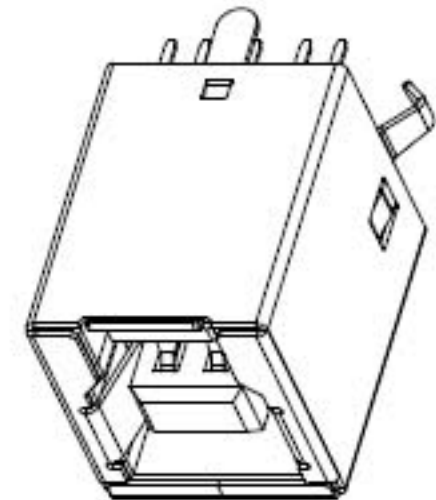
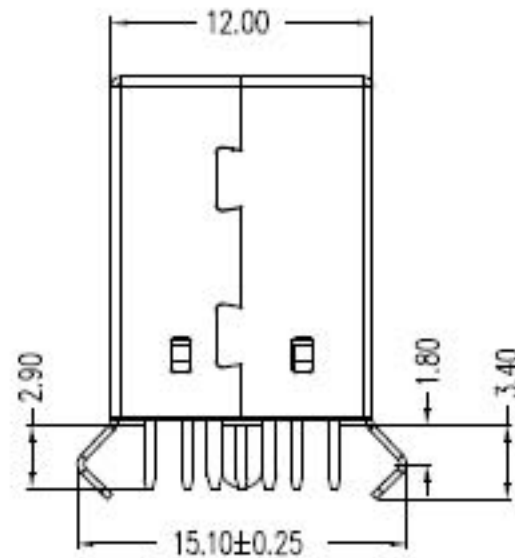
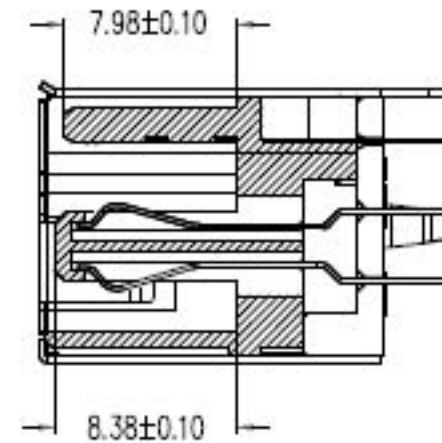
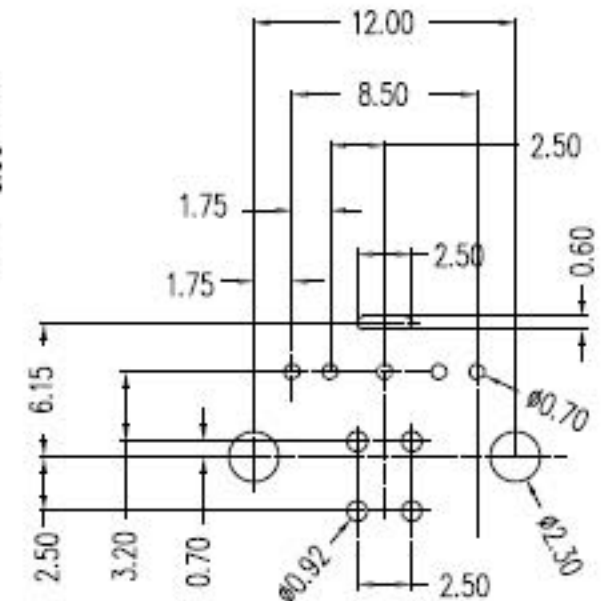
## Ordering Information

112-09 B F S D XX UN A1

|                   |         |          |            |
|-------------------|---------|----------|------------|
| Contact Plating   | Plating | Packing: | Series No. |
| 80-Gold Flash/Tin | H-Black | A-Tray   |            |
| 81-3u"Gold/Tin    | W-White |          |            |
| 82-5u"Gold/Tin    | U-Blue  |          |            |
| 83-10u"Gold/Tin   | R-Red   |          |            |
| 84-15u"Gold/Tin   |         |          |            |
| 85-30u"Gold/Tin   |         |          |            |



Recommended P.C.B Layout(Top Side)  
(PCB BOARD TOLERANCE±0.05)



|     |            |                          |        |             |         |            |       |              |                          |
|-----|------------|--------------------------|--------|-------------|---------|------------|-------|--------------|--------------------------|
|     |            |                          |        | OPERATION   | DRAW    | DATE       | SCALE | FIT          | PART NO.                 |
|     |            |                          |        | X.X ±0.40   | JYHuang | 2012/06/30 | UNIT  | mm           | GUSB-112-09BFSDXXXNA1    |
|     |            |                          |        | X.XX ±0.25  | CHECK   | DATE       | SIZE  | A4           | TITLE:                   |
| A0  | 2012/06/30 | NEW                      |        | X.XXX ±0.15 | APPROVE | DATE       | SHEET | 1/1          | USB3.0B-TYPE FEMALE 180° |
| REV | DATE       | MODIFICATION DESCRIPTION | CHANGE | Angle ± 3°  |         |            | PROJ. | Customer NO. | 壳高12.60,弯脚DIP            |
|     |            |                          |        | DIM TOL     |         |            |       |              |                          |

# HDC 有限公司