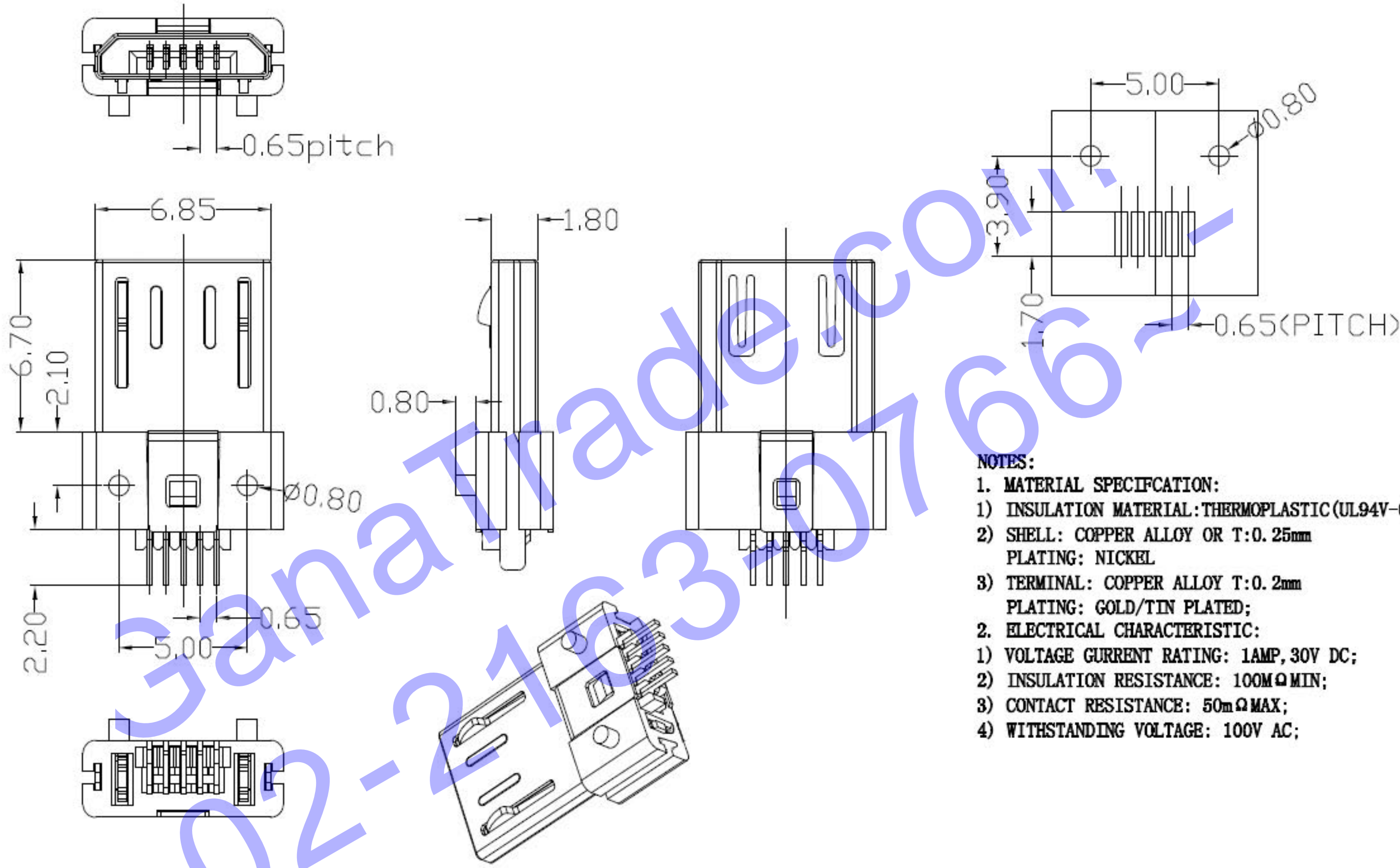


RoHS COMPLIANT



- NOTES:**
- MATERIAL SPECIFICATION:**
 - INSULATION MATERIAL: THERMOPLASTIC (UL94V-0)
 - SHELL: COPPER ALLOY OR T:0.25mm
PLATING: NICKEL
 - TERMINAL: COPPER ALLOY T:0.2mm
PLATING: GOLD/TIN PLATED;
 - ELECTRICAL CHARACTERISTIC:**
 - VOLTAGE CURRENT RATING: 1AMP, 30V DC;
 - INSULATION RESISTANCE: 100MΩ MIN;
 - CONTACT RESISTANCE: 50mΩ MAX;
 - WITHSTANDING VOLTAGE: 100V AC;

		QUALITY SYMBOLS		UNIT		SCALE		TOLERANCES		ITEM		DESC		Q'TY		MATERIAL		REMAKS		PART REMAKS	
		■: CRITICAL ▽: ZERO DEFECT		☉: MAJOR ▽: S.P.C		mm		3:1		DIM. ±0.30		APPROVED		CHECKED		DESIGN		DRAWN		PART NO.	
A		HDC 有限公司						ANGLE: 3°										DESCRIPTION		Miro 5P超薄插头SMT-B款	
REV		DESCRIPTION		DATE														DRAWING NO.		REV A	