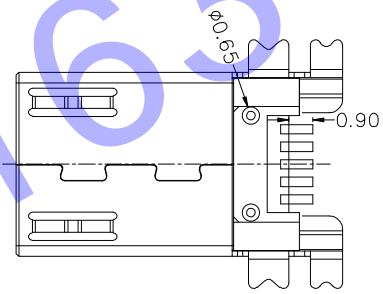
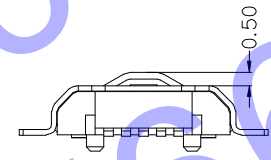
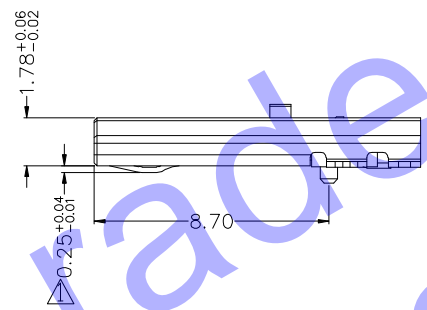
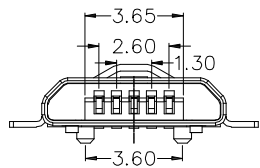
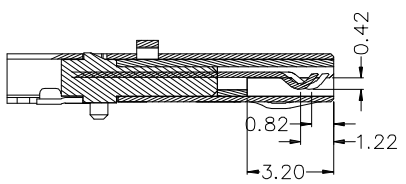
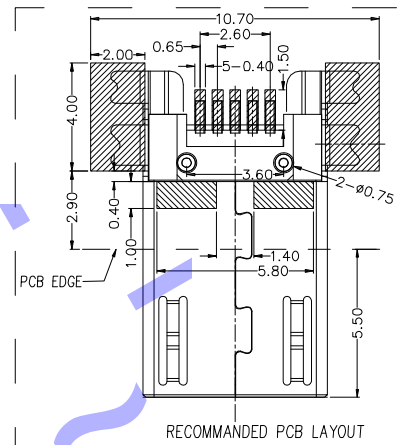
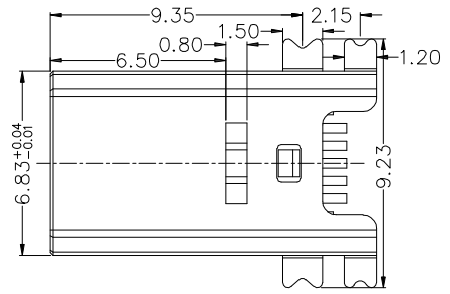


RoHS COMPLIANT



PART NO.  
112-05 F V XX U N A

Contact Plating  
S0=Gold Flash/Tin  
S1=3u"Gold/Tin  
S2=5u"Gold/Tin  
S3=10u"Gold/Tin  
S4=15u"Gold/Tin  
S5=30u"Gold/Tin

Plating  
B=Black A=Tray  
W=White

Packing:  
A=Tray

NOTE:

1. Electrical
  - 1.1. Rated Voltage: 30V AC maximum
  - 1.2. Rated Current: 1A min.
  - 1.3. DIELECTRIC WITHSTANDING VOLTAGE: 100VAC, 1MIN
  - 1.4. INSULATION RESISTANCE:
    - a, UNMATED: 100M OHMS MIN AT 500 VDC
    - b, MATED: 10M OHMS MIN AT 150 VDC
  - 1.5. Contact Resistance: 30mΩ Max.
2. Mechanical
  - 2.1. Mating Force Max: 3.70kgf max.
  - 2.2. Removal Force Min: 1.0kgf min.
  - 2.3. Durability: 0.81~2.05Kgf after 10,000 cycles at 100±50 cycles per hour.
3. Ambient Temperature: -30° C To +80° C

REV	DESCRIPTION	DATE	QUALITY SYMBOLS	UNIT	SCALE	TOLERANCES	ITEM	DESC	Q'TY	MATERIAL	REMAKS	PART REMAKS
A	图面发行	09'-10-23	■: CRITICAL ▽: ZERO DEFECT ⊕: MAJOR ▽: S.P.C	mm	3:1	DIM. ±0.30 ANGLE: 3°	APPROVED	CHECKED	DESIGN	DRAWN	112-05FVXXUNA	SHT 1/1
											DESCRIPTION	micro usb 5P 贴板公头
											DRAWING NO.	MU-A28
											REV	A

H D C 有限公司

【客户用图】