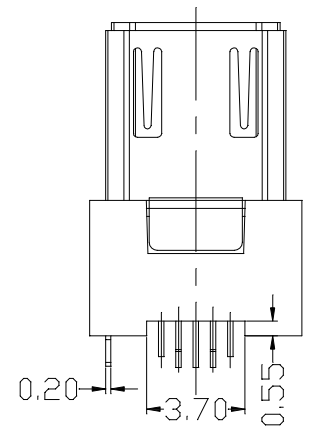
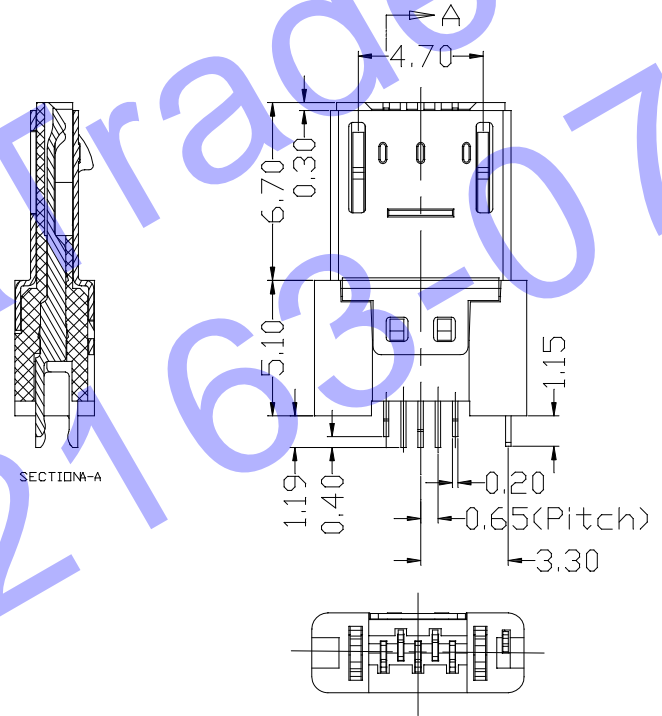
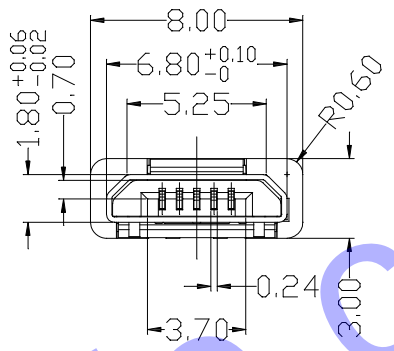
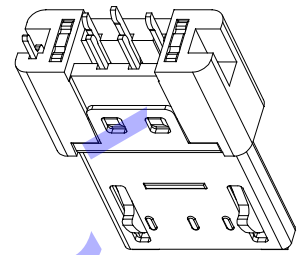


RoHS COMPLIANT

CONTACT NUMBER	SIGNAL NAME
PIN 1	VBUS
PIN 2	D-
PIN 3	D+
PIN 4	ID
PIN 5	GND



**1.Material:**

Shell : SUS 301 R-1/4H  
 Insulator: SEE TABLE+30% G.F. UL 94V-0  
 hook : SUS 301 R-EH  
 Contacts: C5191 R-EH

**2.Mechanical:**

Mating Force: 35N max.  
 Withdrawal Force: 8N min,initial.  
 Durability: 10000 cycles min.

**3.Electrical:**

Current-max[amps]: 1.0A  
 Voltage-max[volts]: 30V  
 Withstanding Voltage: 100V AC  
 Contact Resistance [ohms]: 30 milliohms max  
 Insulation Resistance [ohms]: 100 Megohms min

**4.Plating:**

Contacts: Gold 1u" And Tin Over Nickel Plated

Shell: Nickel over all plating

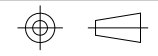
**5.Environmental**

Temperature Range: -30°C~+80°C

112-05 AM R D XX UN A

- Contact Plating: S0=Gold Flash/Tin, S1=3u" Gold/Tin, S2=5u" Gold/Tin, S3=10u" Gold/Tin, S4=15u" Gold/Tin, S5=30u" Gold/Tin
- Plating: B=Black, W=White
- Packing: A=Tray

QUALITY SYMBOLS	
■: CRITICAL	☒: MAJOR
▽: ZERO DEFECT	▽: S.P.C



UNIT	SCALE	TOLERANCES
mm	3:1	DIM. ±0.30 ANGLE: 3°

H D C 有限公司

ITEM	DESC	Q'TY	MATERIAL	REMAKS	PART REMAKS
APPROVED	CHECKED	DESIGN	DRAWN	112-05MAXXUNA	SHT 1/1
			PART NO.	<b>Miro 5P超薄插头02款</b>	【客户用图】
			DESCRIPTION	MB-A16	REV A
			DRAWING NO.		

