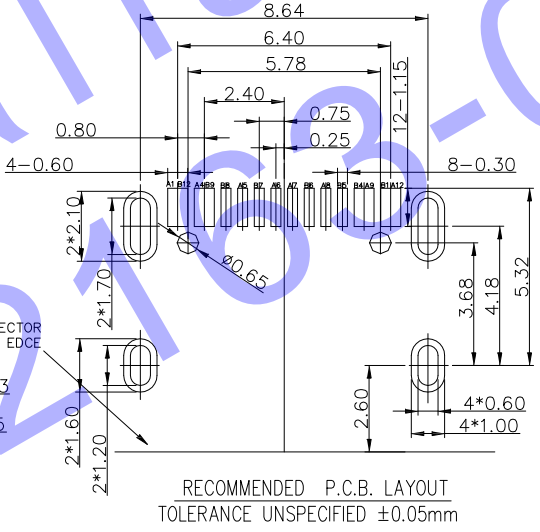
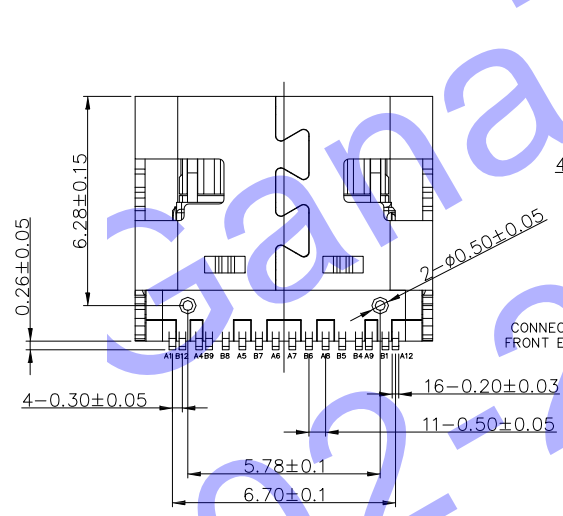
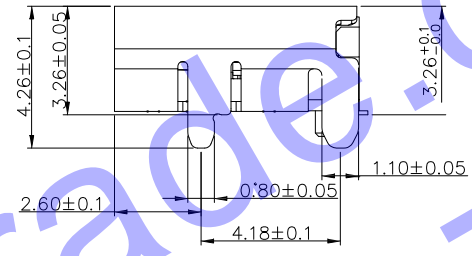
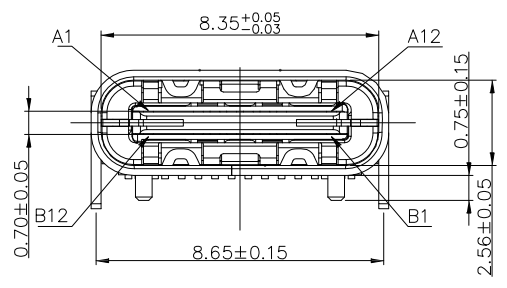
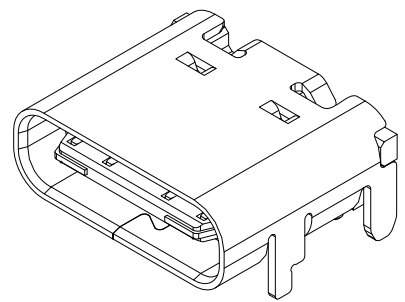
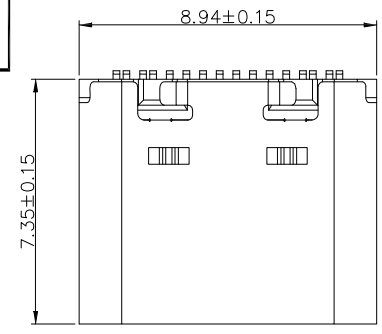


RoHS



RECOMMENDED P.C.B. LAYOUT  
TOLERANCE UNSPECIFIED ±0.05mm

NOIE.  
1.MATERIAL:  
1.1 INSULATOR: HIGH TEMPERATURE PLASTIC UL 94 V-0;  
1.2 CONTACT: COPPER ALLOY(T=0.15mm)  
1.3 SHELL:STAINLESS STEEL(T=0.20mm)  
2.ELECTRICAL CHARACTERISTICS:  
2.1 CONTACT RESISTANCE: 40mΩ Max FOR INITIAL. 10mΩ CHANGE AFTER TEST. MEASURE AT 20mV, 100mA.  
2.2 CONTACT CURRENT RATING: 5A FOR Vbus PIN; 1.25A FO VCONN PIN.  
2.3 DIELECTRIC WITHSTANDING VOLTAGE: 100V AC R.M.S.  
2.4 INSULATION RESISTANCE 100MΩ Min  
2.5 OPERATING TEMPERATURE: -40°C ~ 85°C  
3. MECHANICAL CHARACTERISTICS:  
3.1 MATING FORCE: 5~20 N.  
3.2 UNMATED FORCE: 8~20N AFTER TEST  
3.3 DURABILITY: 10,000 CYCLES  
4.PLATING  
4.1 TERMINAL CONTACT: (SEE TAB) GOLD PLATING ALL OVER 50u" Min NICKEL AND 80u"Min Tin ALL OVER 50u" Min NICKEL ON SOLDER AREA  
4.2 SHELL: 50u" Min. NICKEL ALL OVER,

PART NO. INFORMATION  
USB32 - 0 X S3 X 1 X  
□ □ □ □ □ □ □ □

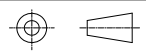
- 32:USB SERIAL
- MALE & FEMALE
- 0: FEMALE
- HOUSING COLOR:
- 5:BLACK 9:BLUE
- FLOW NO.: S3
- 端子电镀
- 1:GOLD FLASH 2:3u"GOLD
- 3:5u"GOLD 4:10u"GOLD
- 5:15u"GOLD 6:30u"GOLD
- 1:RoHS Compliant
- 包装方式
- 1:TRAY PACKAGE
- 2:TAPE REEL PACKAGE

A1	GND	B12	GND
A4	VBUS	B9	VBUS
A5	CC1	B8	SBU2
A6	DP1	B7	DN2
A7	DN1	B6	DP2
A8	SBU1	B5	CC2
A9	VBUS	B4	VBUS
A12	GND	B1	GND

PIN	SIGNAL NAME	PIN	SIGNAL NAME
5	SHELL		
4	SPRING		
3	SHIELDING PLATE		
2	CONTACT		
1	HOUSING		
NO.	DESCRIPTION	MATERIAL	REMARKS

5	SHELL	STAINLESS STEEL	NI/SN Plated	1PCS
4	SPRING	STAINLESS STEEL	---	1PCS
3	SHIELDING PLATE	STAINLESS STEEL	NI Plated	1PCS
2	CONTACT	COPPER ALLOY	Au/NI Plated	1SET
1	HOUSING	HIGH TEMPERATURE PLASTIC	BLACK	1PCS
NO.	DESCRIPTION	MATERIAL	REMARKS	QTY

QUALITY SYMBOLS  
■ CRITICAL  
▽ ZERO DEFECT  
☒ MAJOR  
▽ S.P.C



UNIT SCALE TOLERANCES  
mm 2.5 : 1 DIM. ± 0.20 ANGLE: 3°

H D C 有限公司

REV	DESCRIPTION	DATE
A	图面发行	'09-12-09

APPROVED	CHECKED	DESIGN	DRAWN	PART NO.	REMARKS	PART REMARKS
				USB3.1 CF STD CL1.75 H3.46mm type 焊脚长度1.20mm		SHT 1/1
				DESCRIPTION		
				DRAWING NO.	AD1-A23	REV A