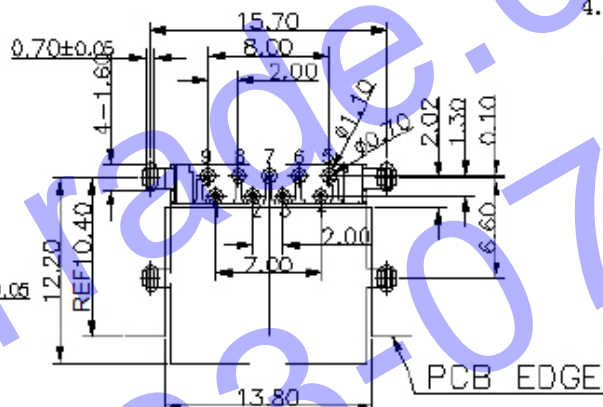
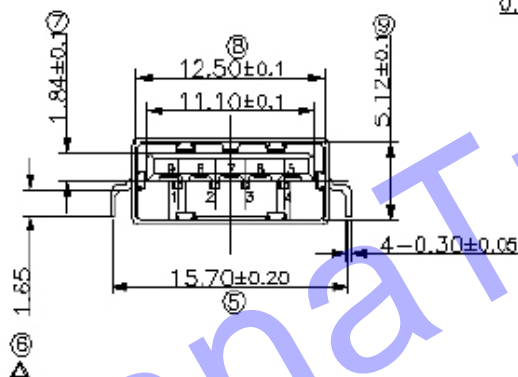
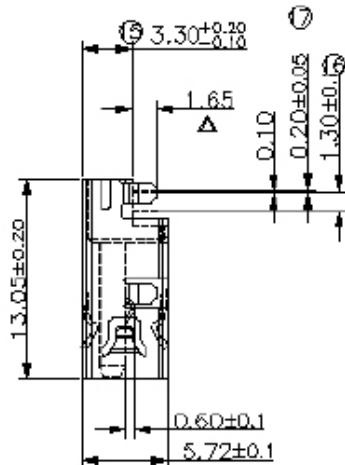
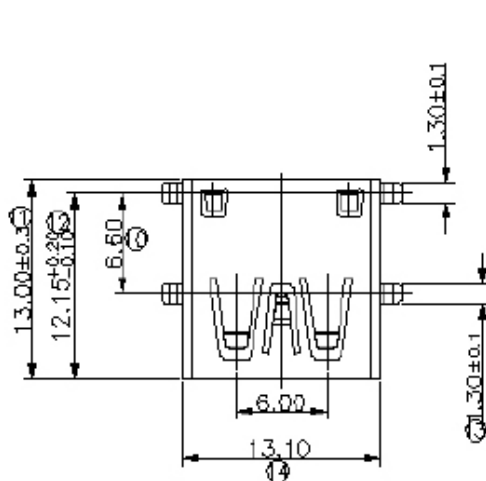


RoHS COMPLIANT



TOLERANCE: ±0.05, THICKNESS: 1.6 mm  
RECOMMENDED PCB LAYOUT

NOTE:

1. MATERIAL:
  - 1.1 INSULATOR: LCP UL 94V-0
  - 1.2 CONTACT: BRONZE (T=0.20mm)
  - 1.3 SHELL: BRASS (T=0.30mm)
2. ELECTRICAL CHARACTERISTICS:
  - 2.1 CONTACT RESISTANCE: 30mΩ MAXIMUM
  - 2.2 CONTACT CURRENT RATING: 1.5A
  - 2.3 DIELECTRIC WITHSTANDING VOLTAGE: 500 V R. M. S.
  - 2.4 INSULATION RESISTANCE 1000 MEGOHMS MIN
  - 2.5 OPERATING TEMPERATURE: -40° C ~ 85° C
3. MECHANICAL CHARACTERISTICS:
  - 3.1 MATING FORCE: 3.57kg MAX
  - 3.2 UNMATED FORCE: 1.02kg MIN
  - 3.3 DURABILITY: MANDATORY: 5,000 CYCLES
4. PLATING
  - 4.1 TERMINAL:
    - 50u" MIN NICKEL ALL OVER
    - 100u" MIN Tin ON SOLDER AREA
    - (1~30)u" Au ON CONTACT AREA
  - 4.2 SHELL: 100u" MIN. NICKEL ALL OVER

FUA R - 09 1 X - A8 U R  
 ALUS A TYPE  
 R: Receptacle  
 PIN NO: 09

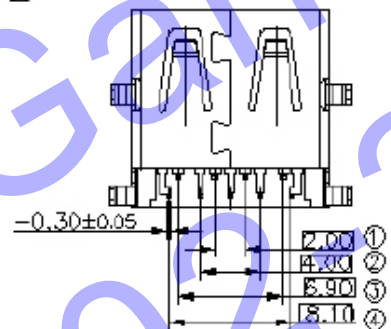
包装: R.TAPE&REEL(卷)

颜色: U: BLUE

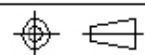
Series No.

- K: GOLD FLASH PLATING ON CONTACT AREA  
Matte Tin PLATING ON SOLDER AREA
- M: 5u" GOLD PLATING ON CONTACT AREA  
Matte Tin PLATING ON SOLDER AREA
- P: 15u" GOLD PLATING ON CONTACT AREA  
Matte Tin PLATING ON SOLDER AREA

Pin NUMBER	SIGNAL NAME
1	VBUS
2	D-
3	D+
4	GND
5	StdA_SSRX-
6	StdA_SSRX+
7	GND_DRAIN
8	StdA_SSTX-
9	StdA_SSTX+
Shell	Shield



QUALITY SYMBOLS  
 ■: CRITICAL  
 ▽: ZERO DEFECT  
 □: MAJOR  
 ▽: S.P.C



UNIT: mm  
 SCALE: 3:1  
 TOLERANCES: DIM. ±0.30 ANGLE: 3°

H D C 有限公司

ITEM	DESC	QTY	MATERIAL	REMARKS	PART REMARKS
APPROVED	CHECKED	DESIGN	DRAWN	USB-XXXXXXXX	SHT 1/1
DESCRIPTION				USB3.0 AF 沉板一雙排90度插板	【新用】
DRAWING NO.				REV	A

REV	DESCRIPTION	DATE
A	圖面发行	09-10-23