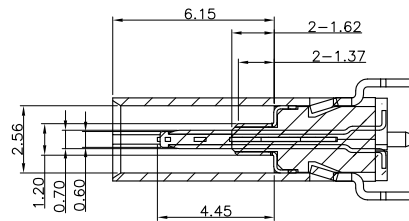
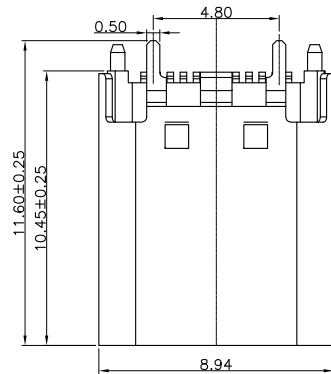
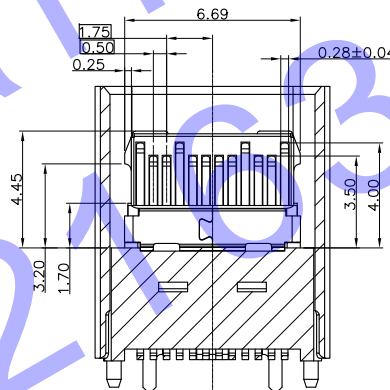
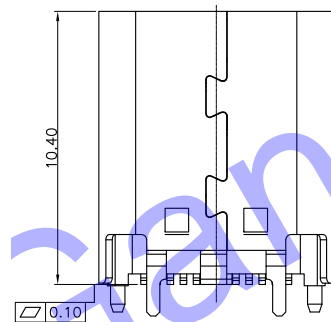
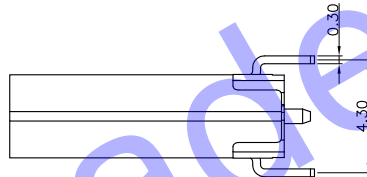
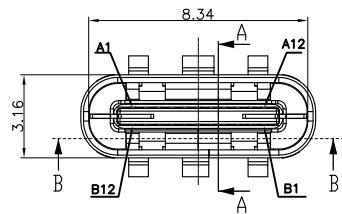


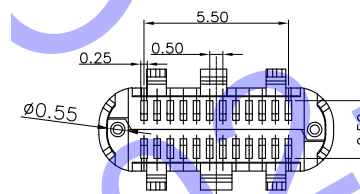
RoHS



SECTION A-A
SCALE 1:1



SECTION B-B
SCALE 1:1



备注:

1.材质:

1.1胶芯: LCP+30%G.F UL94V-0

1.2端子: COPPER ALLOY; 镍底, 镀金 $X\mu$ "

1.3外壳: SUS304; 表面镀镍 100μ "
或亮锡 100μ "

1.3护板: SUS304;

2.主要特性:

2.1额定电流: 5.0A (5A MIN FOR VBUS;
0.25A MIN FOR OTHER.)

2.2接触阻抗: 40m Ω MAX

2.3绝缘阻抗: 100M Ω MIN 100V DC

2.4耐压测试: 100V AC

2.5沾锡性: 温度 $250\pm 5^{\circ}\text{C}$, 时间 $5\pm 0.5\text{s}$

2.6整体插入力: 0.50~2.00kgf MAX

整体拔出力: 0.80~2.00kgf MIN

2.7使用寿命: 10000次

2.8工作温度: $-55^{\circ}\text{C}\sim +85^{\circ}\text{C}$

产品料号:

PART NO. INFORMATION

USB32 - 0 X S3 X 1 X

1 2 3 4 5 6 7

1 32:USB SERIAL

2 MALE & FEMALE

1: MALE

3 HOUSING COLOR:

5:BLACK 9:BLUE

4 FLOW NO.: S5

5 端子电镀

1:GOLD FLASH 2:3u"GOLD

3:5u"GOLD 4:10u"GOLD

5:15u"GOLD 6:30u"GOLD

6 1:RoHS Compliant

7 包装方式

1:TRAY PACKAGE

2:TAPE REEL PACKAGE

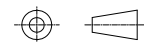
QUALITY SYMBOLS

■: CRITICAL

▽: ZERO DEFECT

☒: MAJOR

▽: S.P.C



UNII

mm

SCALE

2.5 : 1

TOLERANCES

DIM. ± 0.20

ANGLE: 3°

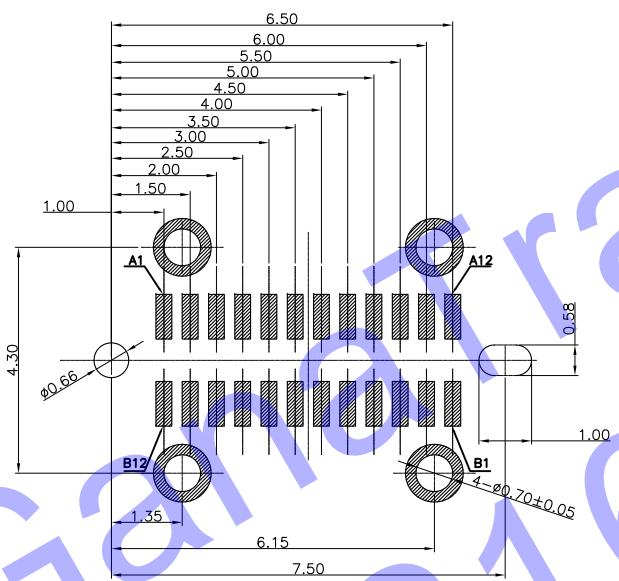
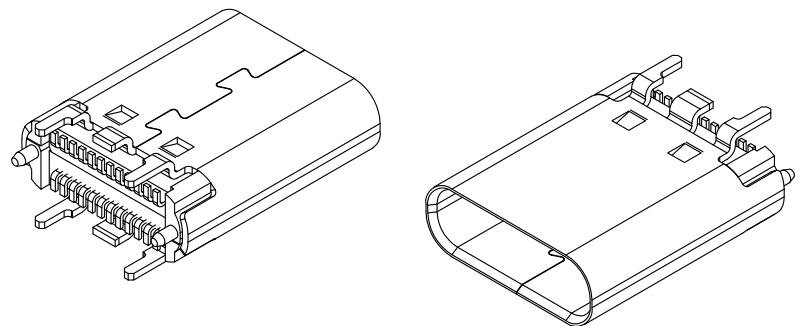
H D C 有限公司

ITEM	DESC	Q'TY	MATERIAL	REMARKS	PART REMARKS
APPROVED	CHECKED	DESIGN	DRAWN	PART NO.	USB 32-1XS5X1X
				DESCRIPTION	USB 3.1 Type-C Male 立式SMT
				DRAWING NO.	REV A

图面发行	'09-12-09
DESCRIPTION	DATE

REV	DESCRIPTION	DATE
-----	-------------	------

RoHS



RECOMMENDED P.C.B. LAYOUT (T:1.00mm)
TOLERANCE UNSPECIFIED ±0.05mm

USB TYPE-C FULL-FEATURED RECEPTACLE INTERFACE PIN ASSIGNMENTS

PIN	Signal Name	Description	PIN	Signal Name	Description
A1	GND	Ground return	B12	GND	Ground return
A2	SSTXp1	Positive half of first SuperSpeed TX differential pair	B11	SSTXp1	Positive half of first SuperSpeed TX differential pair
A3	SSTXn1	Negative half of first SuperSpeed TX differential pair	B10	SSTXn1	Negative half of first SuperSpeed TX differential pair
A4	VBUS	Bus Power	B9	VBUS	Bus Power
A5	CC1	Configuration Channel	B8	CC1	Configuration Channel
A6	Dp1	Positive half of the USB 2.0 differential pair-Position 1	B7	Dp1	Positive half of the USB 2.0 differential pair-Position 1
A7	Dn1	Negative half of the USB 2.0 differential pair-Position 1	B6	Dn1	Negative half of the USB 2.0 differential pair-Position 1
A8	RFU1	Reserved for Future Use (RFU)	B5	RFU1	Reserved for Future Use (RFU)
A9	VBUS	Bus Power	B4	VBUS	Bus Power
A10	SSRXn2	Negative half of second SuperSpeed RX differential pair	B3	SSRXn2	Negative half of second SuperSpeed RX differential pair
A11	SSRXp2	Positive half of second SuperSpeed RX differential pair	B2	SSRXp2	Positive half of second SuperSpeed RX differential pair
A12	GND	Ground return	B1	GND	Ground return

Gantrade 0221631066

QUALITY SYMBOLS	UNII	SCALE	TOLERANCES	ITEM	DESC	Q'TY	MATERIAL	REMARKS	PART REMARKS
■ : CRITICAL ☒ : MAJOR ▽ : ZERO DEFECT ▽ : S.P.C	mm	2.5 : 1	DIM. ± 0.20 ANGLE: 3°	APPROVED	CHECKED	DESIGN	DRAWN	USB 32-1XS5X1X	SHT 1/1
							DESCRIPTION	USB 3.1 Type-C Male 立式SMT	
							DRAWING NO.	REV A	

H D C 有限公司

图面发行	'09-12-09
DESCRIPTION	DATE