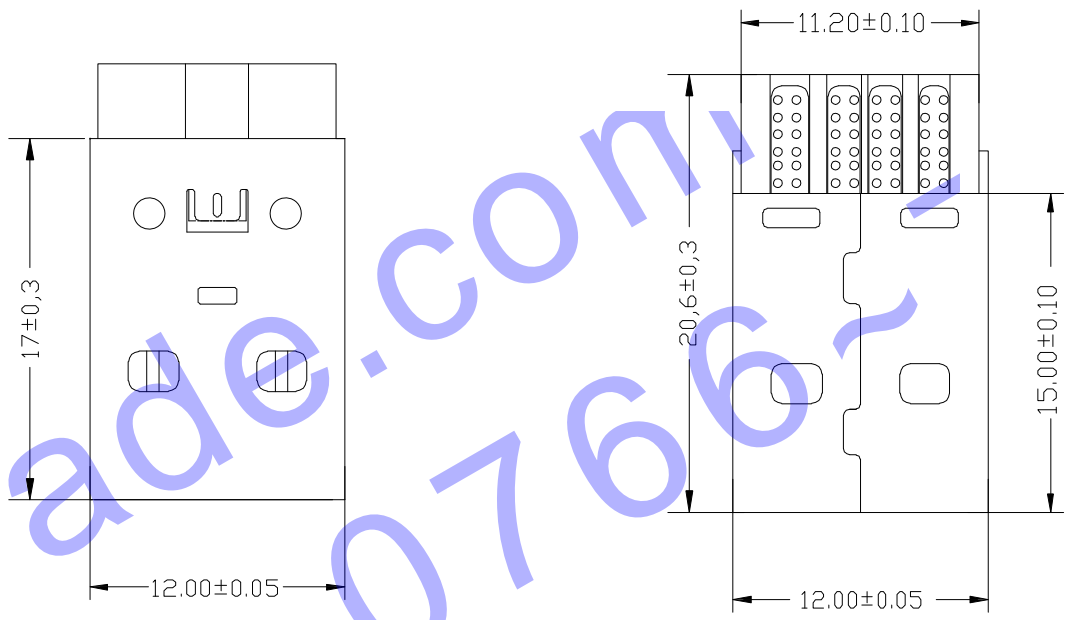


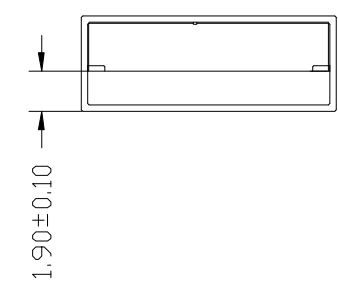
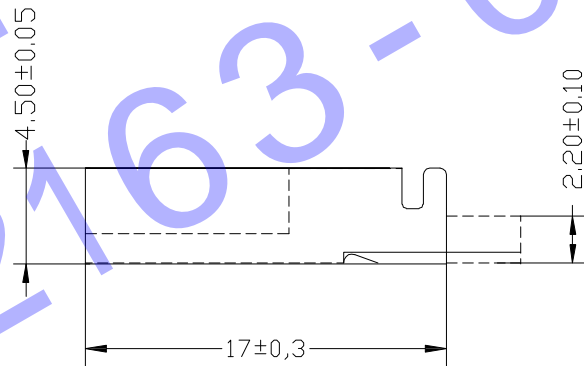
RoHS COMPLIANT

NOTES:  
 Housing: Thermoplastics,UL94V-0  
 Contact: Copper Alloy  
 Shell: Copper Alloy/Steel  
 Voltage Current Rating:1.5 AMP. 30V AC  
 Insulation Resistance:1000MΩ Min.  
 Contact Resistance:30 MΩ Max.  
 Dielectric Withstanding Voltage:500W AC  
 Temperature Range:-55° C to +85° C  
 Insulator color: Black/White  
 Plastic material:PBT/LCP  
 Shell finish:Nickel plated/Tin-Lead plated  
 Contact finish:  
 01:Selective Gold Flash  
 02:Selective Gold 3U"  
 03:Selective Gold 5U"  
 04:Selective Gold 15U"  
 05:Selective Gold 30U"



**Ordering Information**

XX UN A  
 Contact Plating: S0=Gold Flash/Tin, S1=3u"Gold/Tin, S2=5u"Gold/Tin, S3=10u"Gold/Tin, S4=15u"Gold/Tin, S5=30u"Gold/Tin  
 Plating: B=Black, W=White, U=Blue, R=Red  
 Packing: A=Tray



A		8		7		6		5		4		3		2		1			
A		图面发行		09'-10-23		QUALITY SYMBOLS		UNIT		SCALE		ITEM		MATERIAL		REMAKS			
REV		DESCRIPTION		DATE		■: CRITICAL ☒: MAJOR ▽: ZERO DEFECT ▽: S.P.C		mm		3:1		DIM: ±0.30 ANGLE: 3°		APPROVED CHECKED DESIGN		DRAWN PART NO. DESCRIPTION DRAWING NO.		SHT 1/1 【客户用图】 REV A	