

F

E

D

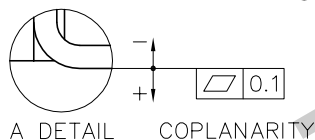
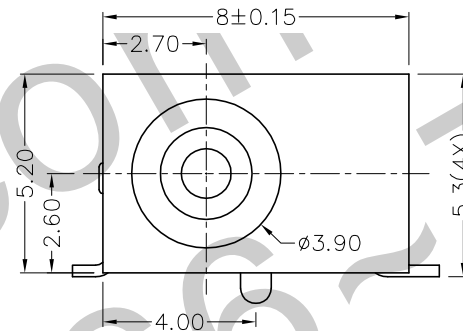
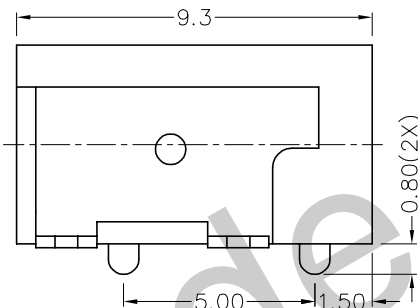
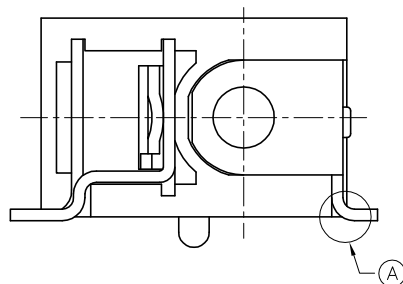
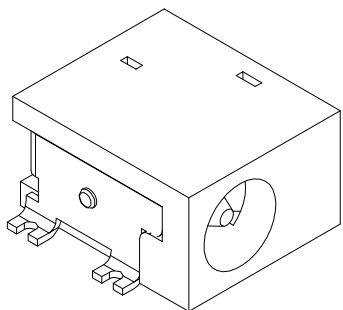
C

B

A

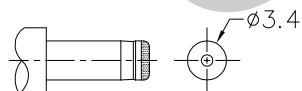
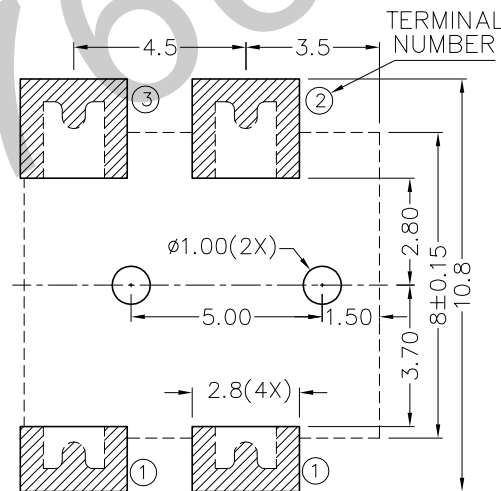
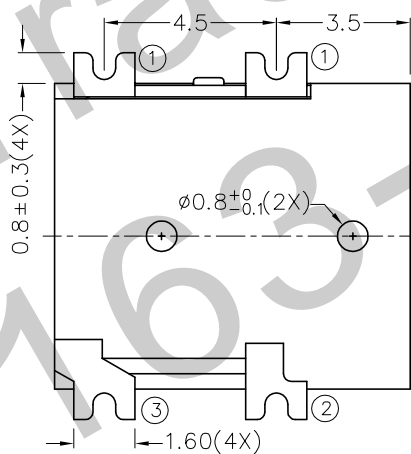
RoHS
Compliant

ZONE	SYMBOL	REVISION	APPROVAL	DATE
		ADDED INDICATION OF COPLANARITY	J.X.KUANG	8-1-2009



* MATERIAL:

- CENTRE PIN : COPPER
- TERMINAL 1 : BRASS
- TERMINAL 2 : COPPER ALLOY
- TERMINAL 3 : BRASS
- HOUSING : PA6T



DC MATE PLUG

MODEL NO.	TDC-018H
SCHMATIC	
CENTER PIN	ø1mm
	ø1.3mm



TECHNIK INDUSTRIAL CO. LTD.

DESIGN	L.L.ZHANG	DATE	29-7-2005	SCALE	5:1
DRAWING	T.Y.LI	DATE	8-1-2009	MATERIAL	*
CHECK		DATE		DWG. NO.	TZ\DC018H-PA6T/F
APPROVAL		DATE		SHEET	

PART NAME	HIGH CURRENT SMD DC POWER SOCKET	TOLERANCE UNLESS	0.0±0.2	UNIT:	
PART NO.	TDC-018H	OTHERWISE SPECIFIED:	0.00±0.1 0.000±0.05	mm	

F

E

D

C

B

A