

F

E

D

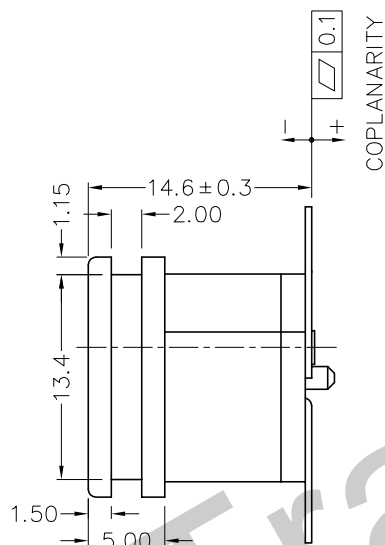
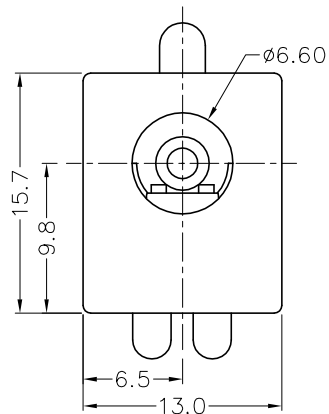
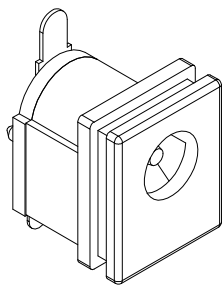
C

B

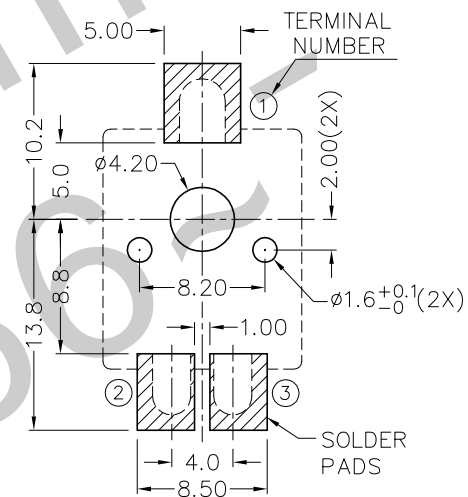
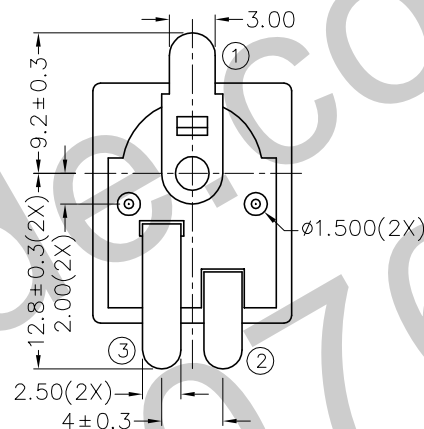
A

ZONE	SYMBOL	REVISION	APPROVAL	DATE
		UPDATE DIM.	J.X.KUANG	1-11-2010

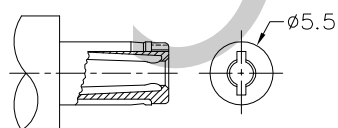
RoHS
Compliant



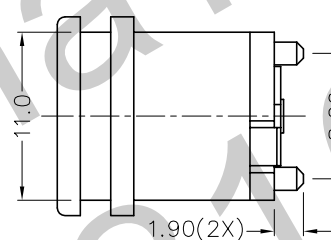
COPLANARITY

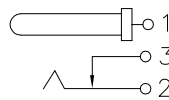


RECOMMENDED
SOLDER PAD LAYOUT
(TOP VIEW)



DC MATE PLUG



MODEL NO.	TDC-025H
SCHEMATIC	
CENTER PIN	$\phi 2\text{mm}$
	$\phi 2.5\text{mm}$

* MATERIAL

CENTRE PIN : COPPER
 TERMINAL 1 : BRASS
 TERMINAL 2 : COPPER ALLOY
 TERMINAL 3 : BRASS
 HOUSING : PA6T
 COVER : PA6T



TECHNIK INDUSTRIAL CO. LTD.

PART NAME	HIGH CURRENT SMD DC POWER SOCKET	TOLERANCE UNLESS	0.0±0.2	UNIT:	mm	DESIGN	L.L.ZHANG	DATE	14-10-2005	SCALE	2:1
PART NO.	TDC-025H	OTHERWISE SPECIFIED:	0.00±0.1			DRAWING	T.Y.LI	DATE	1-11-2010	MATERIAL	*
			0.000±0.05			CHECK		DATE		DWG. NO.	TZ\DC025H-PA6T/C
						APPROVAL		DATE		SHEET	

F

E

D

C

B

A