

F

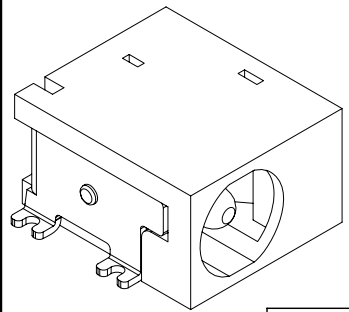
E

D

C

B

A



RoHS
Compliant

ZONE	SYMBOL	REVISION	APPROVAL	DATE
		UPDATE THE DWG.	J.X.KUANG	1-3-2012

1

1

2

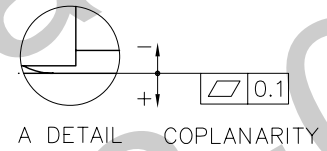
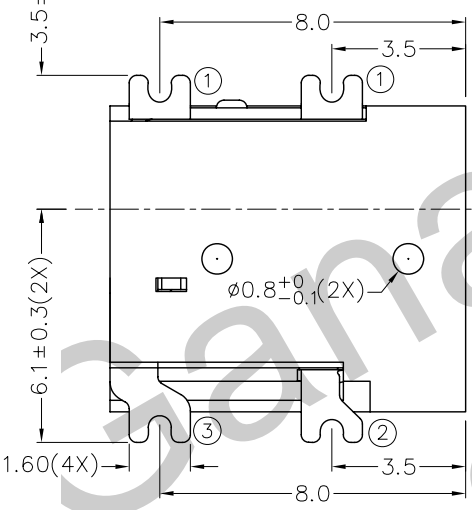
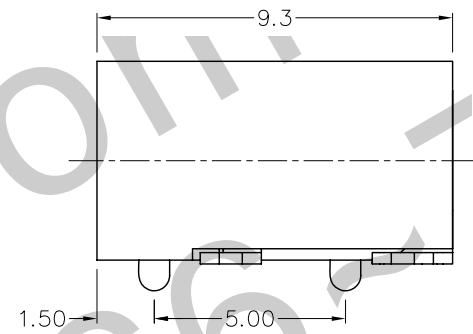
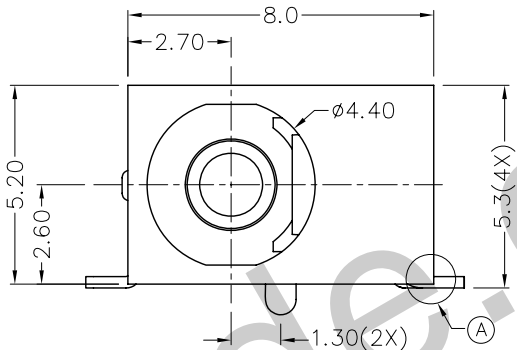
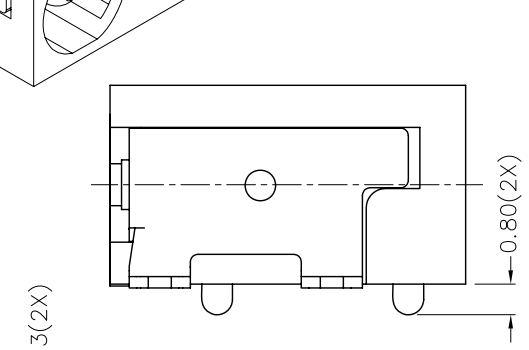
2

3

3

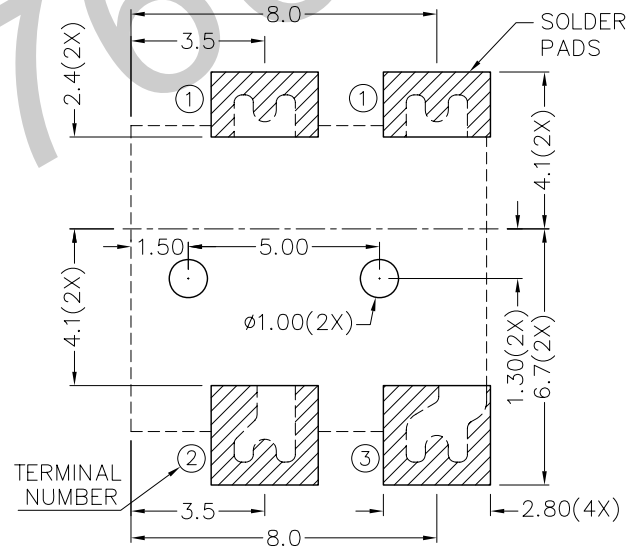
4

4

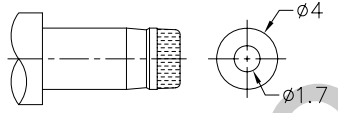


* MATERIAL:
 CENTRE PIN : COPPER
 TERMINAL 1 : BRASS
 TERMINAL 2 : COPPER ALLOY
 TERMINAL 3 : BRASS
 HOUSING : PA6T

MODEL NO.	TDC-033H
SCHEMATIC	
CENTER PIN	ø1.65mm



RECOMMENDED
SOLDER PAD LAYOUT
(TOP VIEW)



DC MATE PLUG



TECHNIK INDUSTRIAL CO. LTD.

DESIGN	L.L.ZHANG	DATE	29-7-2005	SCALE	5:1
DRAWING	T.Y.LI	DATE	1-3-2012	MATERIAL	*
CHECK		DATE		DWG. NO.	TZ\DC033H-PA6T/F
APPROVAL		DATE		SHEET	

PART NAME	HIGH CURRENT SMD DC POWER SOCKET	TOLERANCE UNLESS	0.0±0.2	UNIT:	
PART NO.	TDC-033H	OTHERWISE SPECIFIED:	0.00±0.1 0.000±0.05	mm	

F

E

D

C

B

A