

F

E

D

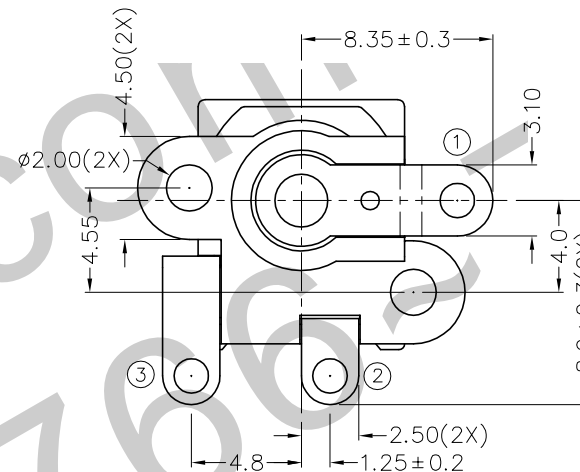
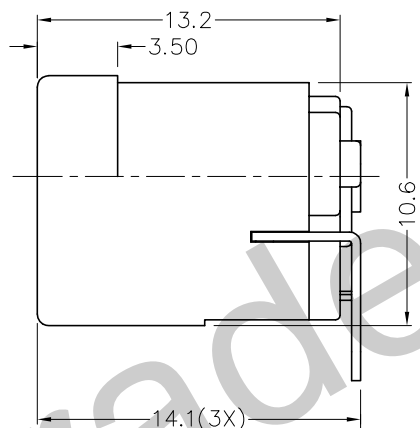
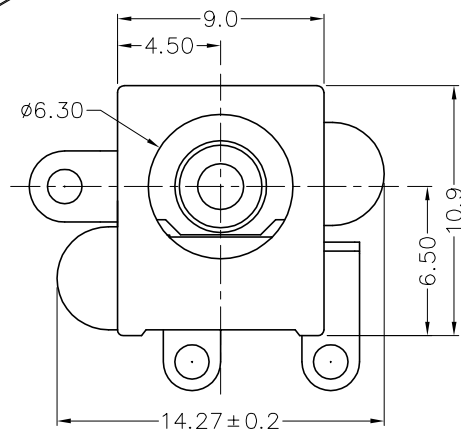
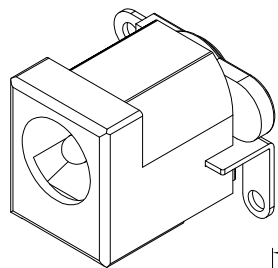
C

B

A

ZONE	SYMBOL	REVISION	APPROVAL	DATE

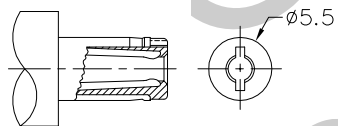
RoHS
Compliant



* MATERIAL

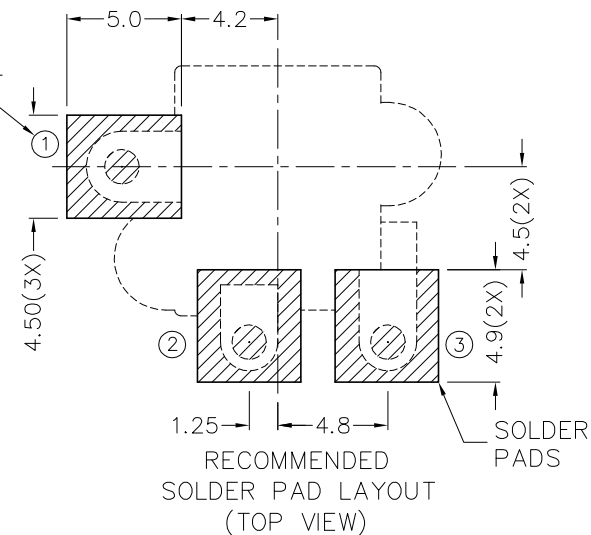
CENTRE PIN : BRASS
 TERMINAL 1 : BRASS
 TERMINAL 2 : COPPER ALLOY
 TERMINAL 3 : BRASS
 HOUSING : PA6T
 COVER : PA6T

MODEL NO.	TDC-034DH2
SCHEMATIC	
CENTER PIN	ø2mm
	ø2.5mm



DC MATE PLUG

TERMINAL NUMBER



TECHNIK INDUSTRIAL CO. LTD.

DESIGN	G.P.YI	DATE	28-3-2008	SCALE	3:1
DRAWING	G.P.YI	DATE	8-9-2010	MATERIAL	*
CHECK		DATE		DWG. NO.	TZ\DC034DH2-PA6T/A
APPROVAL		DATE		SHEET	

PART NAME	HIGH CURRENT SMD DC POWER SOCKET	TOLERANCE UNLESS	0.0±0.2	UNIT:	mm
PART NO.	TDC-034DH2	OTHERWISE SPECIFIED:	0.00±0.1 0.000±0.05		

F

E

D

C

B

A