

F

E

D

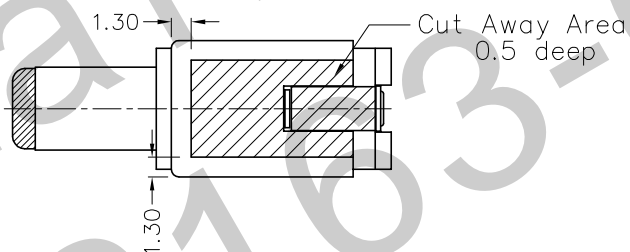
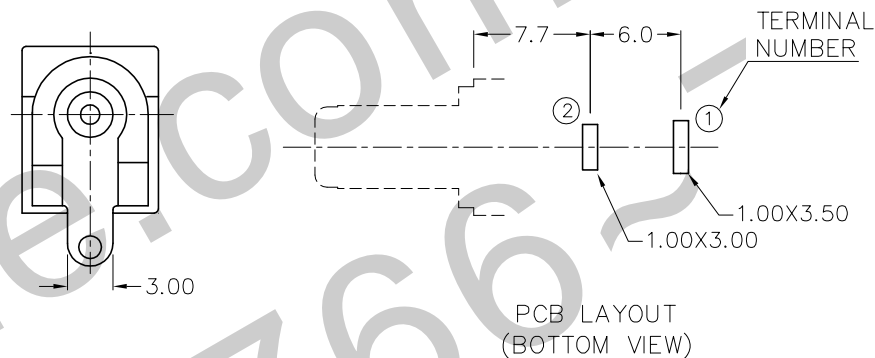
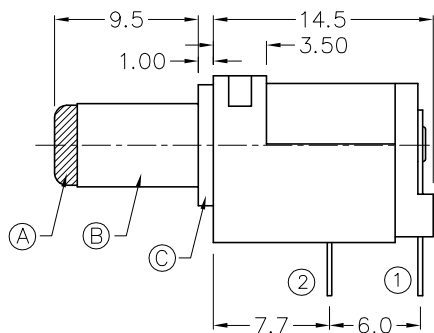
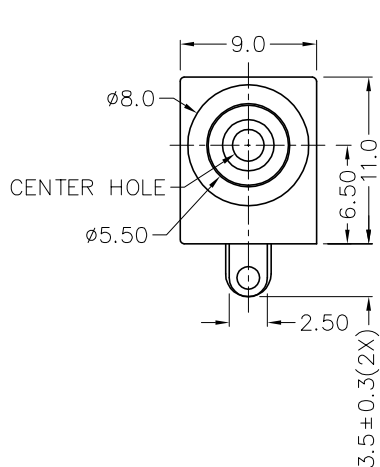
C



B

A

RoHS
Compliant

ZONE	SYMBOL	REVISION	APPROVAL	DATE
F4		ø2.5mm CENTER HOLE CANCELLED	J.X.KUANG	17-7-2007



MODEL NO.	TDC-039
SCHEMATIC	 -o1  -o2
CENTER HOLE	ø2.1 ^{+0.05} ₀ mm

* MATERIAL

PLUG

A) PLASTIC : ABS
 B) METAL : BRASS
 C) GUIDE : ABS

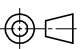
MAIN BODY

TERMINAL 1 : BRASS
 TERMINAL 2 : COPPER ALLOY
 HOUSING : PBT
 COVER : PBT



TECHNIK INDUSTRIAL CO.LTD.

DESIGN	J.X.KUANG	DATE	11-10-2003	SCALE	2:1
DRAWING	T.Y.LI	DATE	17-7-2007	MATERIAL	*
CHECK		DATE		DWG. NO.	TZ\DC039-PBT/B
APPROVAL		DATE		SHEET	

PART NAME	DC PLUG	TOLERANCE UNLESS	0.0±0.2	UNIT:	
PART NO.	TDC-039	OTHERWISE SPECIFIED:	0.00±0.1 0.000±0.05	mm	

F

E

D

C

B

A

DCF-04/A