

F

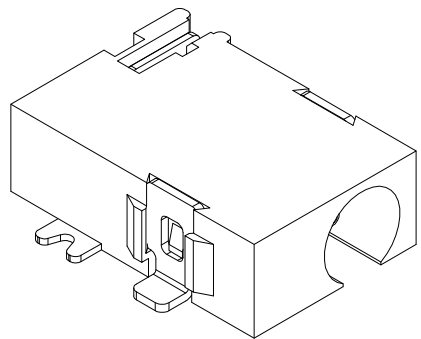
E

D

C

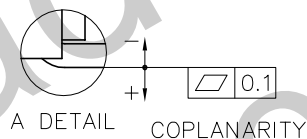
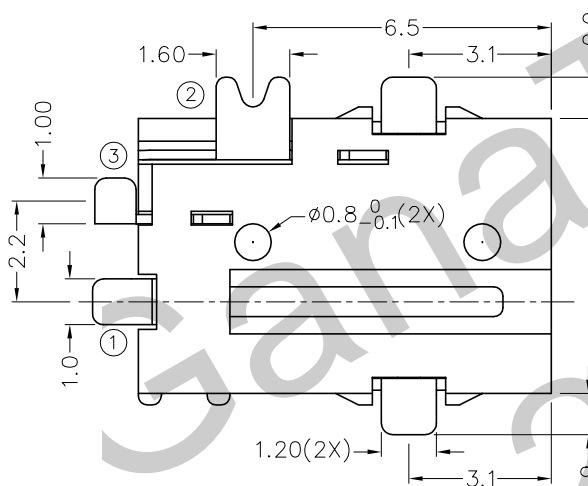
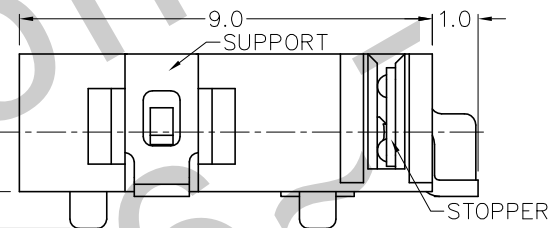
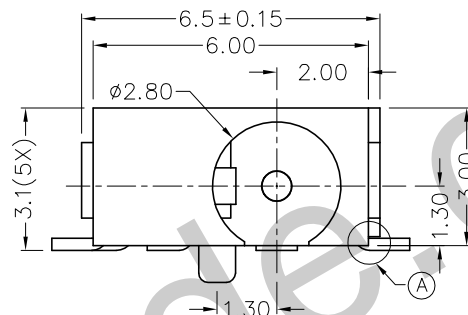
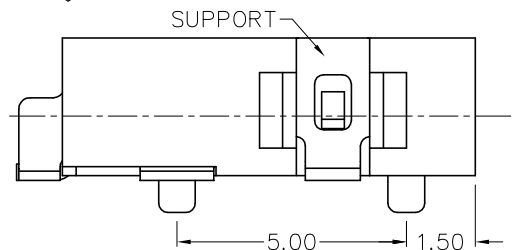
B

A



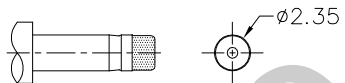
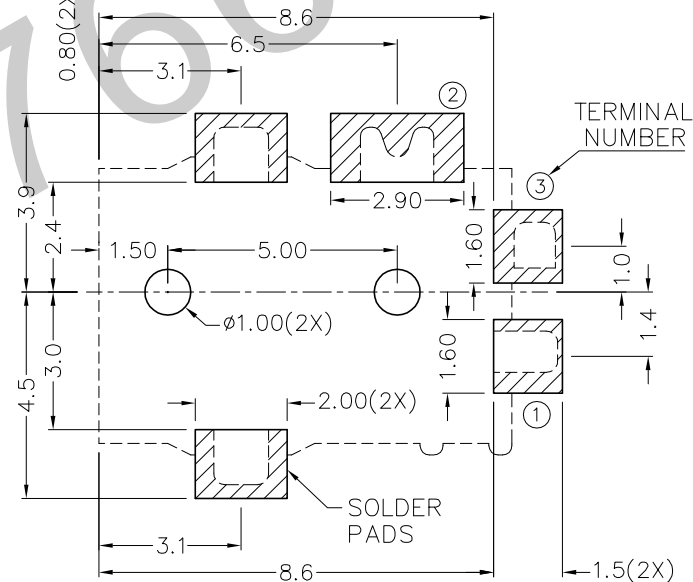
RoHS
Compliant

ZONE	SYMBOL	REVISION	APPROVAL	DATE
		ADDED INDICATION OF COPLANARITY	J.X.KUANG	28-4-2010



* MATERIAL

- TERMINAL 1 : BRASS
- TERMINAL 2 : COPPER ALLOY
- TERMINAL 3 : BRASS
- SUPPORT : BRASS
- STOPPER : BRASS
- HOUSING : PA6T



DC MATE PLUG

MODEL NO.	TDC-057D
SCHEMATIC	
CENTER PIN	∅0.65mm



TECHNIK INDUSTRIAL CO. LTD.

DESIGN	J.X.KUANG	DATE	9-6-2004	SCALE	6:1
DRAWING	T.Y.LI	DATE	28-4-2010	MATERIAL	*
CHECK		DATE		DWG. NO.	TZ\DC057D-PA6T/C
APPROVAL		DATE		SHEET	

PART NAME	SMD DC POWER SOCKET	TOLERANCE UNLESS	0.0±0.2	UNIT:	mm
PART NO.	TDC-057D	OTHERWISE SPECIFIED:	0.00±0.1 0.000±0.05		

F

E

D

C

B

A