

F

E

D

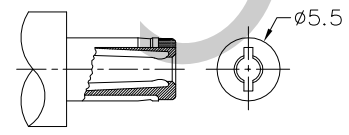
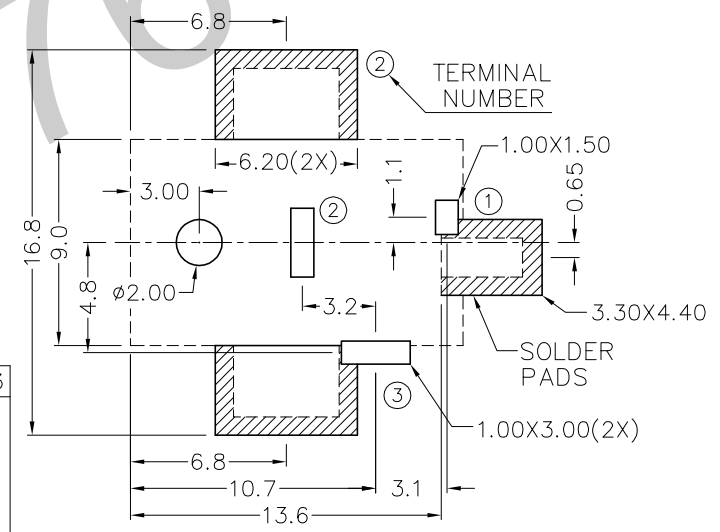
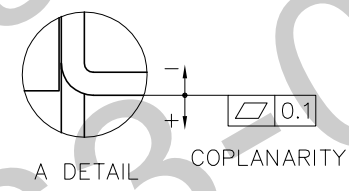
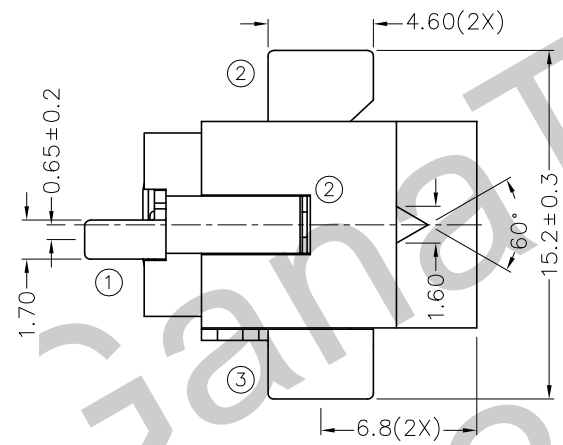
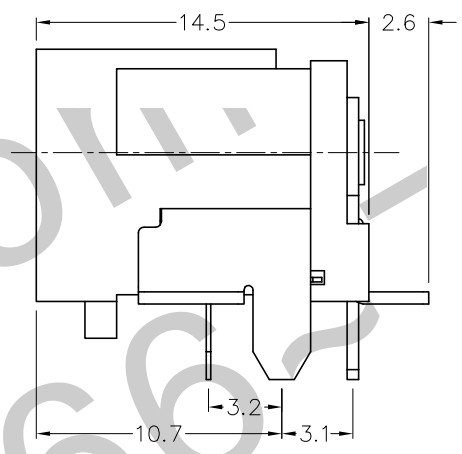
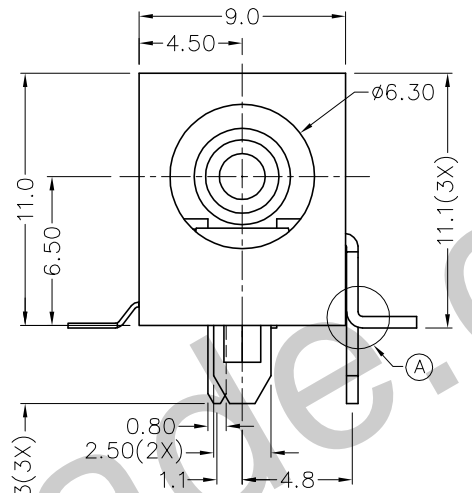
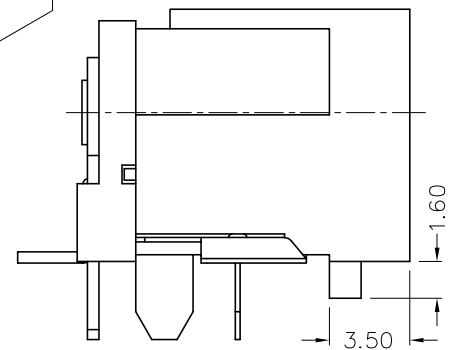
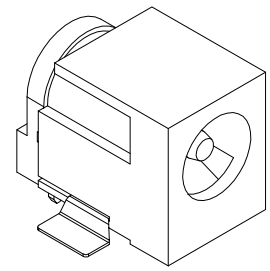
C

B

A

ZONE	SYMBOL	REVISION	APPROVAL	DATE
		ADDED INDICATION OF COPLANARITY	J.X.KUANG	29-4-2010

RoHS  
Compliant



\* MATERIAL  
 CENTRE PIN : COPPER  
 TERMINAL 1 : BRASS  
 TERMINAL 2 : COPPER ALLOY  
 TERMINAL 3 : BRASS  
 HOUSING : PA6T  
 COVER : PA6T

MODEL NO.	TDC-061DH-3
SCHEMATIC	
CENTER PIN	φ2mm φ2.5mm



TECHNIK INDUSTRIAL CO. LTD.

DESIGN	T.Y.LI	DATE	5-7-2005	SCALE	3:1
DRAWING	T.Y.LI	DATE	29-4-2010	MATERIAL	*
CHECK		DATE		DWG. NO.	TZ\DC061DH-3-PA6T/C
APPROVAL		DATE		SHEET	

PART NAME	HIGH CURRENT SMD DC POWER SOCKET	TOLERANCE UNLESS	0.0±0.2 0.00±0.1	UNIT:	mm
PART NO.	TDC-061DH-3	OTHERWISE SPECIFIED:	0.000±0.05		

F

E

D

C

B

A