

F

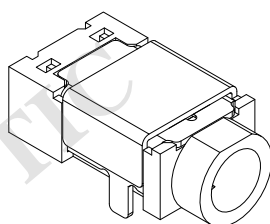
E

D

C

B

A



RoHS
Compliant

ZONE	SYMBOL	REVISION	APPROVAL	DATE
		ADJUST THE RECOMMENDED DC	J.X.KUANG	8-10-2019
		MATING PLUG		

1

1

2

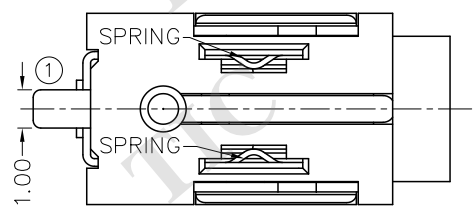
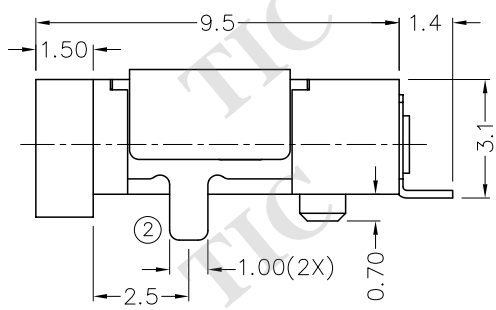
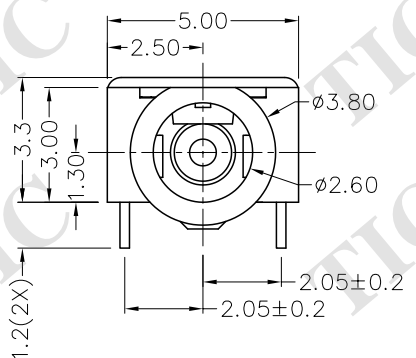
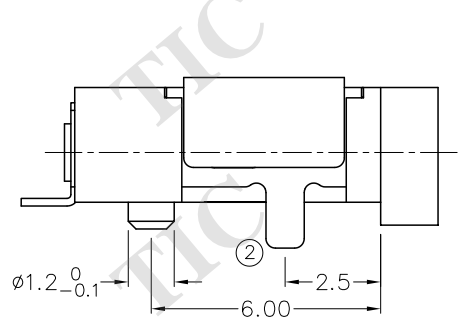
2

3

3

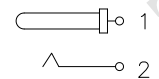
4

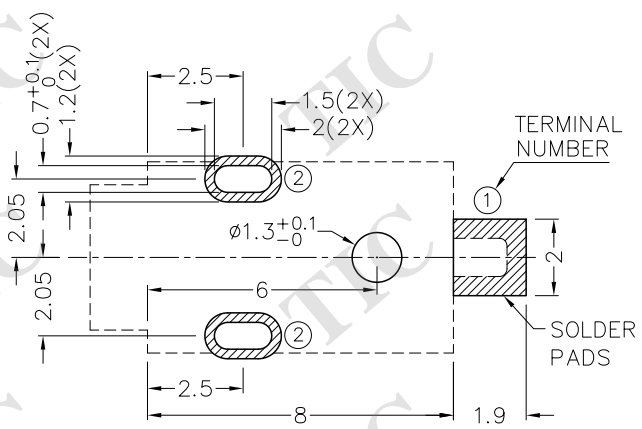
4



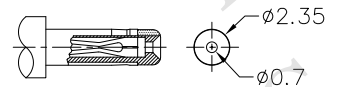
* MATERIAL

- CENTRE PIN : COPPER
- TERMINAL 1 : BRASS
- TERMINAL 2 : COPPER ALLOY
- SPRING : STAINLESS STEEL
- SHIELD : BRASS
- HOUSING : HIGH TEMP. PLASTIC

MODEL NO.	TDC-063DS-3
SCHEMATIC	
CENTER PIN	$\phi 0.650\text{mm}$




RECOMMENDED PCB LAYOUT
TOLERANCE: ± 0.05
(TOP VIEW)



RECOMMENDED
DC MATING PLUG



TIC TECHNIK INDUSTRIAL CO. LTD.

DESIGN	T.Y.LI	DATE	12-9-2005	SCALE	5:1
DRAWING	H.Q.ZHOU	DATE	8-10-2019	MATERIAL	*
CHECK	H.L.TAN	DATE	8-10-2019	DWG. NO.	TZ/DC063DS-3-A/2.1
APPROVAL		DATE	31-10-2019	SHEET	

PART NAME	SMD DC POWER SOCKET	TOLERANCE UNLESS	0.0 ± 0.2	UNIT:	
PART NO.	TDC-063DS-3	OTHERWISE SPECIFIED:	0.00 ± 0.1 0.000 ± 0.05		

F

E

D

C

B

A