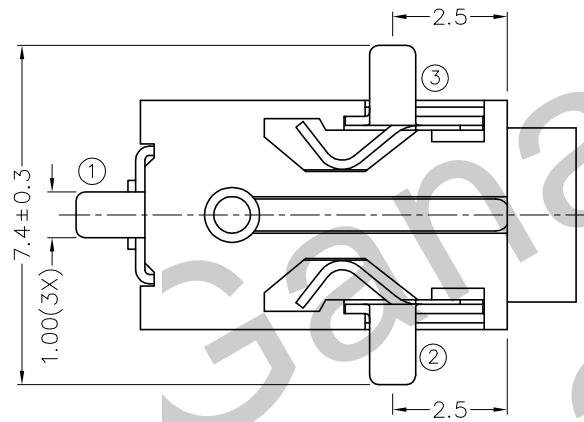
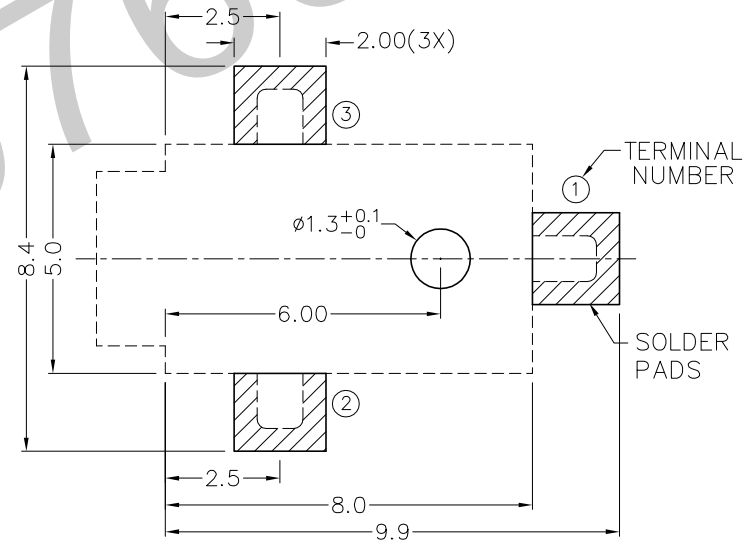
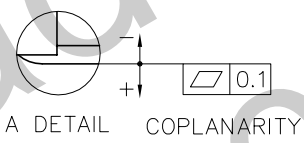
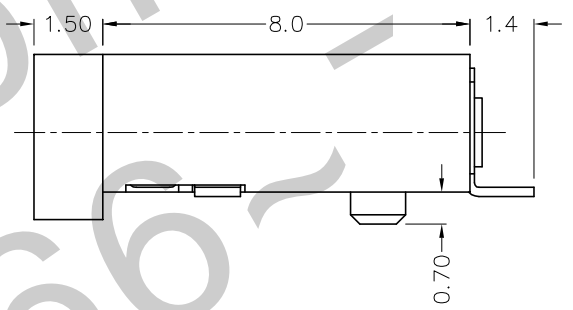
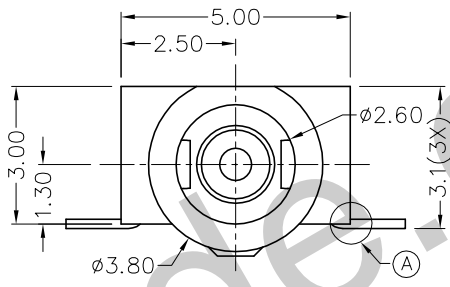
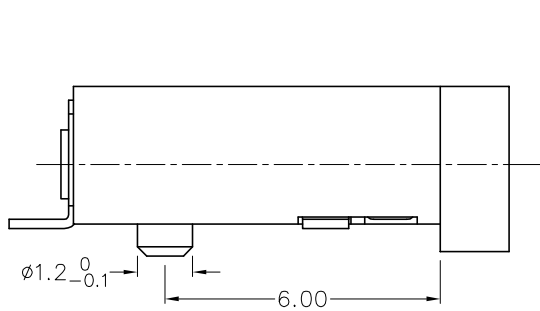
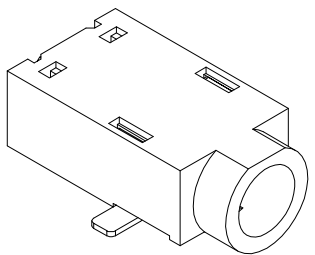
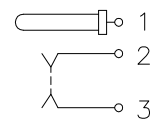


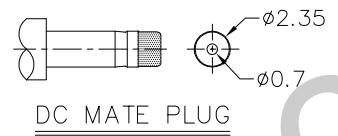
ZONE	SYMBOL	REVISION	APPROVAL	DATE
		ADDED INDICATION OF COPLANARITY	J.X.KUANG	29-4-2010

RoHS
Compliant



* MATERIAL
 CENTRE PIN : COPPER
 TERMINAL 1 : BRASS
 TERMINAL 2 : COPPER ALLOY
 TERMINAL 3 : COPPER ALLOY
 HOUSING : PA6T

MODEL NO.	TDC-064D
SCHEMATIC	
CENTER PIN	∅0.65mm

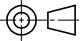


DC MATE PLUG



TECHNIK INDUSTRIAL CO. LTD.

DESIGN	T.Y.LI	DATE	22-9-2005	SCALE	6:1
DRAWING	T.Y.LI	DATE	29-4-2010	MATERIAL	*
CHECK		DATE		DWG. NO.	TZ\DC064D-PA6T/C
APPROVAL		DATE		SHEET	

PART NAME	SMD DC POWER SOCKET	TOLERANCE UNLESS	0.0±0.2	UNIT:	
PART NO.	TDC-064D	OTHERWISE SPECIFIED:	0.00±0.1 0.000±0.05	mm	