

F

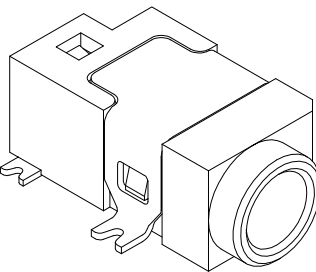
E

D

C

B

A

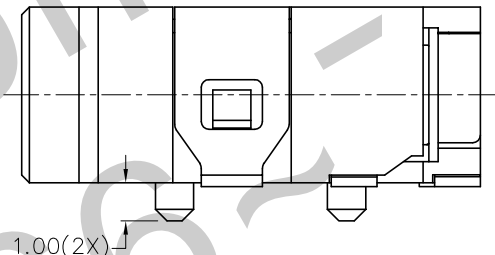
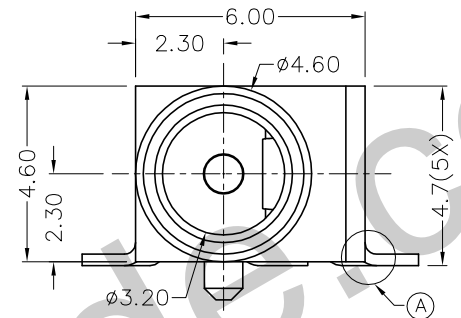
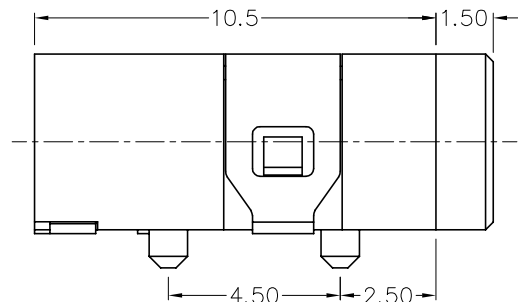


RoHS
Compliant

ZONE	SYMBOL	REVISION	APPROVAL	DATE
		ADDED INDICATION OF COPLANARITY	J.X.KUANG	29-4-2010

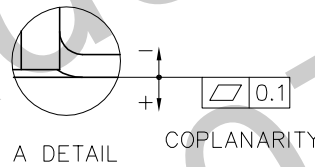
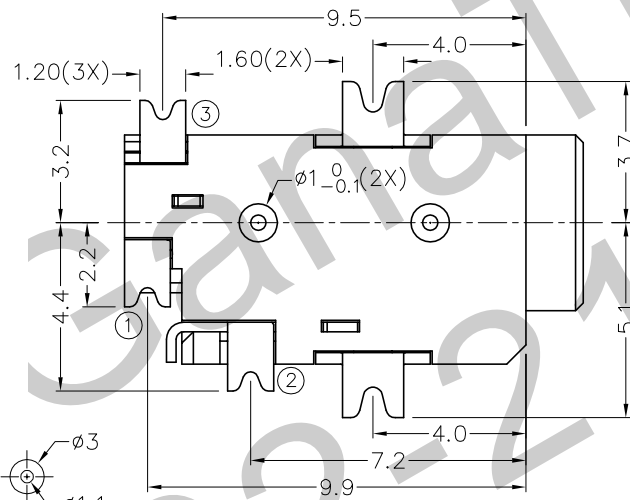
1

1



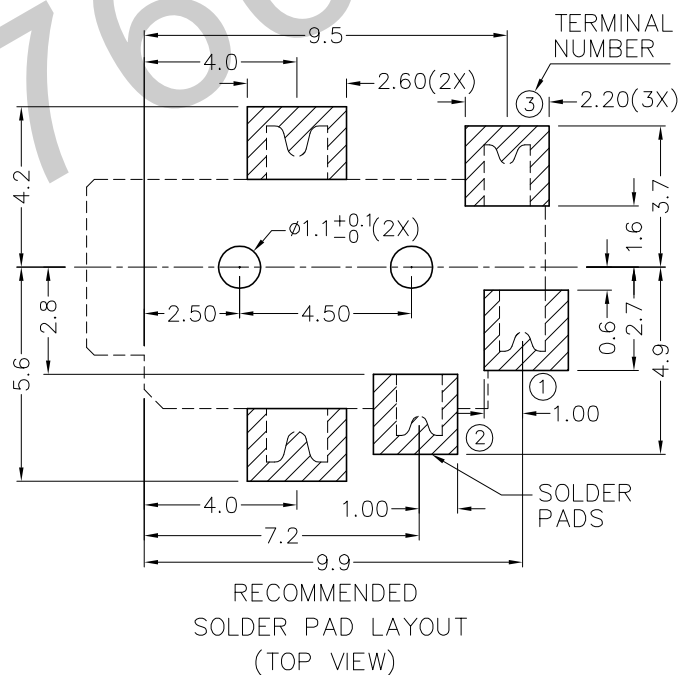
2

2



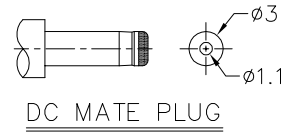
MODEL NO.	TDC-067DS
SCHEMATIC	
CENTER PIN	ø1mm

* MATERIAL
 TERMINAL 1 : BRASS
 TERMINAL 2 : COPPER ALLOY
 TERMINAL 3 : BRASS
 SHIELD : C.R.STEEL
 HOUSING : PA6T



3

3



4

4



TECHNIK INDUSTRIAL CO.LTD.

DESIGN	T.Y.LI	DATE	6-4-2006	SCALE	5:1
DRAWING	T.Y.LI	DATE	29-4-2010	MATERIAL	*
CHECK		DATE		DWG. NO.	TZ\DC067DS-PA6T/B
APPROVAL		DATE		SHEET	

PART NAME	SMD DC POWER SOCKET	TOLERANCE UNLESS	0.0±0.2	UNIT:	
PART NO.	TDC-067DS	OTHERWISE SPECIFIED:	0.00±0.1 0.000±0.05	mm	

F

E

D

C

B

A